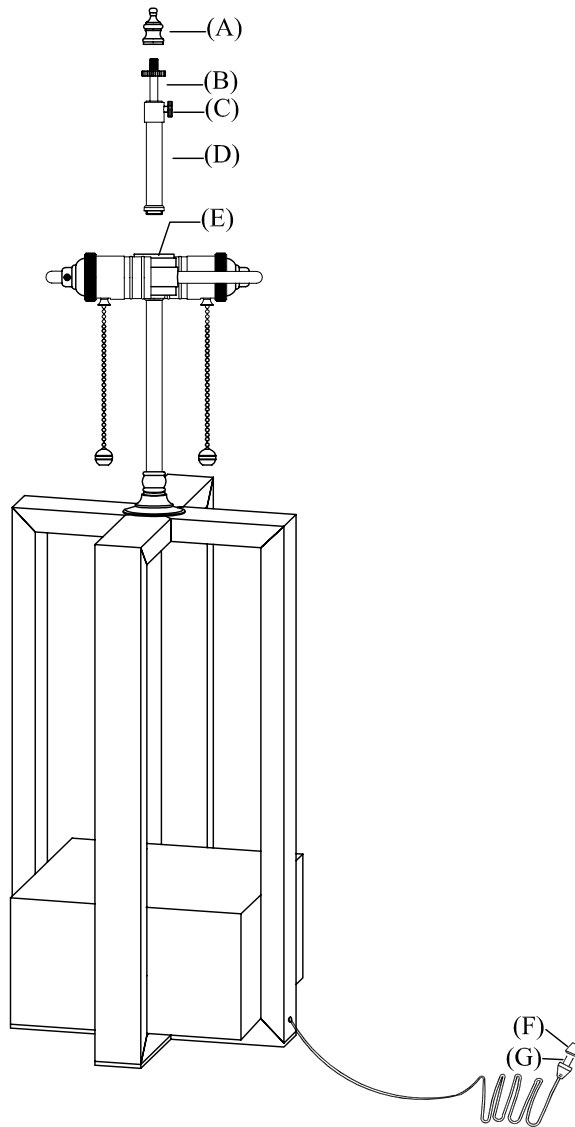


ASSEMBLY INSTRUCTIONS

Ingrid Table Lamp

Item # AH3044



INSPECT ITEM CAREFULLY BEFORE ATTEMPTING TO INSTALL. IF THERE IS ANY DAMAGE OR OBVIOUS DEFECT, DO NOT INSTALL.

ITEM MAY NOT BE RETURNED ONCE IT HAS BEEN INSTALLED.

1. Thread rod (D) into top threaded opening of part (E).
2. Remove finial (A) from rod (B), place lamp shade (not included) over top threaded section of rod (B), and secure with finial (A).
3. Insert light bulbs into sockets.
4. Remove protective plastic (G) from electrical plug (F).
5. Plug lamp into wall outlet.

ADJUSTMENT INSTRUCTIONS:

1. Loosen adjustment key (C) found on lamp stem.
2. Adjust height by pulling or pushing rod (B) up or down to desired height.
3. Tighten adjustment key (C).