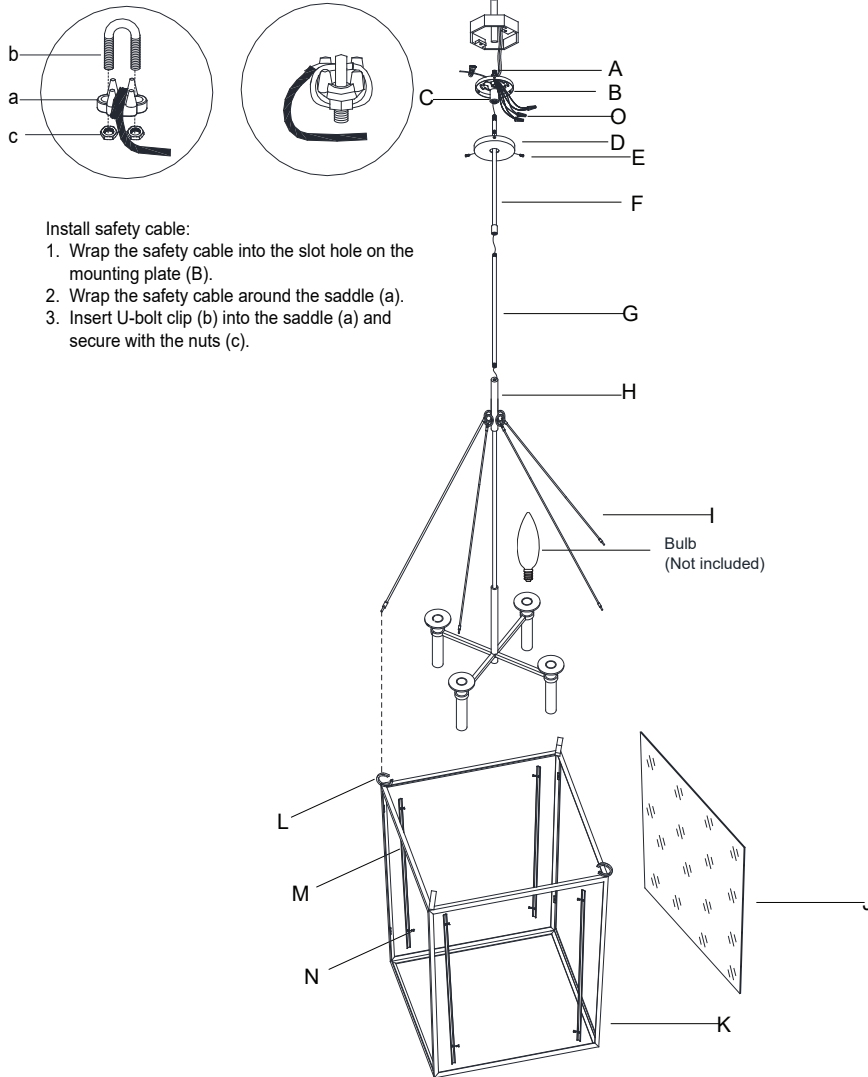


ASSEMBLY INSTRUCTIONS



Install safety cable:

1. Wrap the safety cable into the slot hole on the mounting plate (B).
2. Wrap the safety cable around the saddle (a).
3. Insert U-bolt clip (b) into the saddle (a) and secure with the nuts (c).

Cochere Large Lantern

Item # BBL5106

WE RECOMMEND INSTALLATION OF THIS LIGHTING FIXTURE BE DONE BY A LICENSED ELECTRICIAN.

WARNING*SWITCH OFF THE MAIN ELECTRICAL SUPPLY FROM THE MAIN FUSE BOX/CIRCUIT BREAKER BEFORE INSTALLATION.**

INSPECT ITEM CAREFULLY BEFORE ATTEMPTING TO INSTALL. IF THERE IS ANY DAMAGE OR OBVIOUS DEFECT. DO NOT INSTALL.

ITEM MAY NOT BE RETURNED ONCE IT HAS BEEN INSTALLED.

NOTE: CAREFULLY UNPACK EACH PIECE IN TOP LAYER OF PACKING PRIOR TO REMOVING. RETAIN ALL PACKING MATERIAL UNTIL INSPECTION AND INSTALLATION ARE FINAL.

1. Carefully remove all parts from the box.
2. Remove the mounting plate (B) from the canopy (D) by unscrewing the canopy screw (E).
3. Weave the fixture wires and safety steel wires through the rod (G), rod (F), canopy (D) and hang swivel (C).
4. Thread the rod (G) into the connector (H) and thread rod (F) to the rod (G).
5. Thread the hang swivel (C) into the rod (F).
6. Measure the wires then cut, be certain to leave enough length to connect to the wires in the junction box.
7. Strip the insulation on the fixture wires about 5/8".
8. A 1/4 IPS pipe must be installed through the junction box and secured to a structural member of the building. This item must hang independently of the junction box. Then install the threaded nipple (A) into the 1/4 IPS PIPE.
9. Connect the safety cable as shown in figure.
10. Wrap the fixture ground wire to the green ground screw on the mounting plate (B) and secure, then connect to the ground wire in the junction box using the wire nut (O).
IT IS IMPERATIVE THAT THIS FIXTURE BE GROUNDED.
11. Connect the fixture ribbed wire (no marking) to the neutral wire in the junction box using the wire nut (O).
12. Connect the fixture smooth wire (with marking) to the hot wire in the junction box using the wire nut (O).
DO NOT REVERSE THE HOT AND NEUTRAL CONNECTIONS OTHERWISE SAFETY WILL BE COMPROMISED
13. Carefully tuck the wire connections into the junction box.
14. Install the canopy (D) to the junction box and secure with the canopy screws (E).
15. Remove the metal strips (M) by unscrewing the screws (N), then install glass panels (J) to fixture frame (K) and secure with the metal strips (M) and screws (N).
16. Hang the the hook (L) on the fixture frame (K) to the hanging rod (I).
17. Insert bulbs (not included) into the sockets.
18. Installation is complete, turn on power at fuse or circuit breaker.

***Clean with a dry, soft cloth only. Use no harsh abrasives or chemical agent