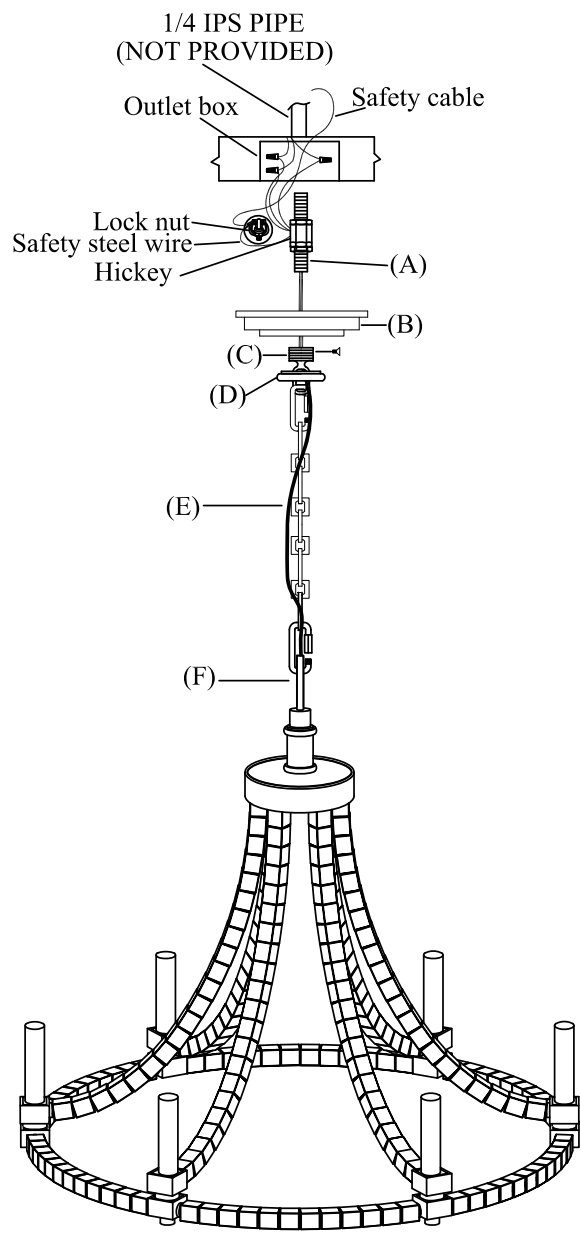


# CHC1535

## ASSEMBLY & INSTALLATION GUIDE



**WE RECOMMEND INSTALLATION OF THIS LIGHTING FIXTURE BE DONE BY A LICENSED ELECTRICIAN.**

**WARNING \*\*\* SWITCH OFF THE MAIN ELECTRICAL SUPPLY FROM THE MAIN FUSE BOX/CIRCUIT BREAKER BEFORE INSTALLATION.**

**INSPECT ITEM CAREFULLY BEFORE ATTEMPTING TO INSTALL. IF THERE IS ANY DAMAGE OR OBVIOUS DEFECT, DO NOT INSTALL.**

**ITEM MAY NOT BE RETURNED ONCE IT HAS BEEN INSTALLED.**

1. Attach chain (E) to top loop (F) on fixture base by opening/closing end link of chain.
2. Feed wire through top loop (F), chain (E) and mounting loop (C).
3. Unscrew canopy ring (D), slide canopy ring (D) and canopy (B) on chain.
4. Insert top thread nipple (A) in mounting 1/4 IPS pipe.
5. Attach chain mounting loop (C) to nipple (A).
6. Attach chain (E) with fixture to chain mounting loop (C) by opening/ closing end link of chain.
7. Connect the safety steel wire from the fixture and the safety cable from ceiling with lock nut. (See illustration A)
8. Attach the bare copper ground wire from the fixture to the ground junction box wire (usually green or copper wire). Fasten together with a plastic wire connector and wrap the connection with electrical tape. Be sure no wire strands are exposed. It is imperative that the outlet box in your home be properly grounded.
9. Connect the neutral wire from the fixture (ridges molded wire) to the neutral wire from the junction box (usually white). Fasten together with a plastic wire connector and wrap the connection with electrical tape. Be sure no wire strands are exposed.
10. Connect the hot wire from the fixture (smooth wire) to the hot wire (usually black) from the junction box. Fasten each together with a plastic wire connector and wrap the connection with electrical tape. Be sure that no wire strands are exposed. **DO NOT REVERSE THE HOT AND NEUTRAL CONNECTIONS OTHERWISE SAFETY WILL BE COMPROMISED.**
11. Slip canopy (B) to ceiling and secure with threaded canopy ring (D)
12. Install bulb of correct type and wattage. See label on lamp.