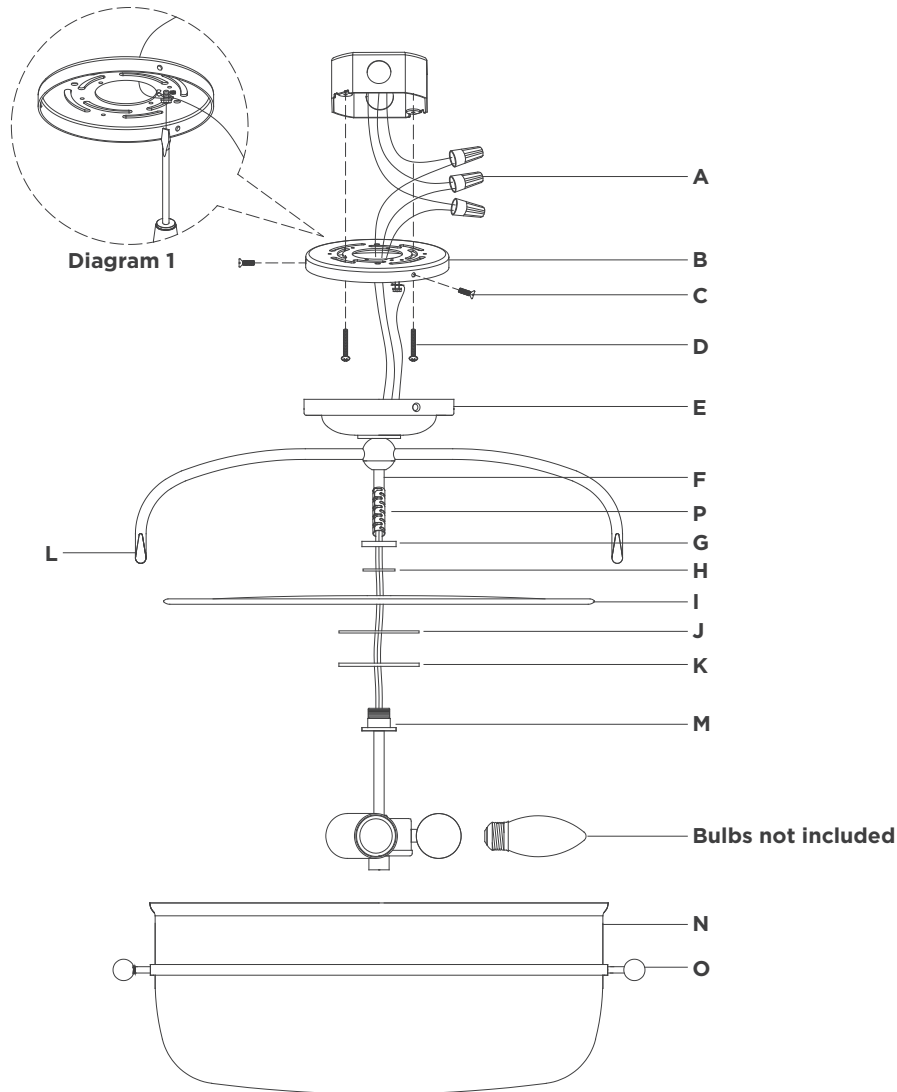


ASSEMBLY INSTRUCTIONS



Lorford Medium Semi-Flush Lantern

Item # CHC 4270

WE RECOMMEND INSTALLATION OF THIS LIGHTING FIXTURE BE DONE BY A LICENSED ELECTRICIAN.

WARNING*SWITCH OFF THE MAIN ELECTRICAL SUPPLY FROM THE MAIN FUSE BOX/CIRCUIT BREAKER BEFORE INSTALLATION.**

INSPECT ITEM CAREFULLY BEFORE ATTEMPTING TO INSTALL.

IF THERE IS ANY DAMAGE OR OBVIOUS DEFECT. DO NOT INSTALL.

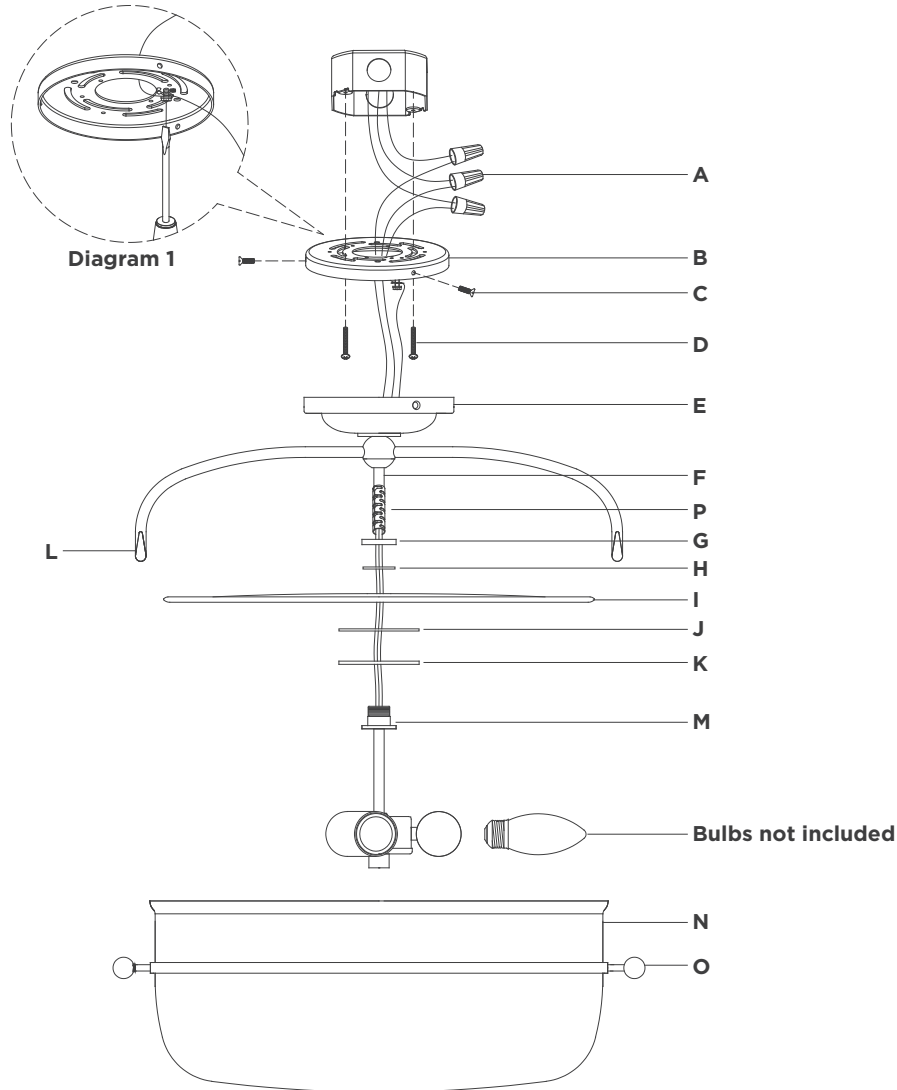
ITEM MAY NOT BE RETURNED ONCE IT HAS BEEN INSTALLED.

NOTE: CAREFULLY UNPACK EACH PIECE IN TOP LAYER OF PACKING PRIOR TO REMOVING. RETAIN ALL PACKING MATERIAL UNTIL INSPECTION AND INSTALLATION ARE FINAL.

1. Carefully remove all parts from the box. Place on a clean, soft surface.
2. Remove plastic sleeve (P) from tube (F).
3. Remove mounting plate (B) from canopy (E) by removing screws (C).
4. Install mounting plate (B) to junction box and securing with mounting screws (D).
5. Feed fixture wires through metal washer (K), rubber washer (J), glass diffuser (I), rubber washer (H), check ring (G) and tube (F).
6. Attach metal washer (K), rubber washer (J), glass diffuser (I) on connector (M) and secure with rubber washer (H) and check ring (G).
NOTE: Do not overtighten otherwise glass shade could be damaged.
7. Thread tube (F) to connector (M).
8. Wrap fixture ground wire (bare copper) around the green grounding screw (see diagram 1). Tighten. Continue fixture ground wire and connect to supply ground wire (usually green or bare copper) using wire nut (A).
9. Connect fixture neutral wire (ribbed) to the supply neutral wire (usually white) using wire nut (A).
10. Connect fixture hot wire (smooth with markings) to the supply hot wire (usually black) using wire nut (A).

CAUTION: Do not reverse the hot and neutral connections.

ASSEMBLY INSTRUCTIONS



Lorford Medium Semi-Flush Lantern Item # CHC 4270

WE RECOMMEND INSTALLATION OF THIS LIGHTING FIXTURE BE DONE BY A LICENSED ELECTRICIAN.

WARNING*SWITCH OFF THE MAIN ELECTRICAL SUPPLY FROM THE MAIN FUSE BOX/CIRCUIT BREAKER BEFORE INSTALLATION.**

INSPECT ITEM CAREFULLY BEFORE ATTEMPTING TO INSTALL.

IF THERE IS ANY DAMAGE OR OBVIOUS DEFECT. DO NOT INSTALL.

ITEM MAY NOT BE RETURNED ONCE IT HAS BEEN INSTALLED.

NOTE: CAREFULLY UNPACK EACH PIECE IN TOP LAYER OF PACKING PRIOR TO REMOVING. RETAIN ALL PACKING MATERIAL UNTIL INSPECTION AND INSTALLATION ARE FINAL.

11. Make sure all wire connections are tight, then carefully tuck into the junction box.
12. Install canopy (**E**) to mounting plate (**B**) and secure with screws (**C**).
13. Install light bulbs into the sockets.
14. Put glass shade (**N**) into metal ring (**O**), then hang metal ring (**O**) to hooks (**L**).
15. Installation is complete.

* * * Clean with a dry, soft cloth only. Do not use harsh abrasives or chemical agents.

* * * For mercury glass, clean with a feather duster. Wiping with a cloth or cleaning solvents may remove antiquing.