

## ASSEMBLY INSTRUCTIONS

Lorford Medium Sconce

Item # CHD 2270

**WE RECOMMEND INSTALLATION OF THIS LIGHTING FIXTURE BE DONE BY A LICENSED ELECTRICIAN.**

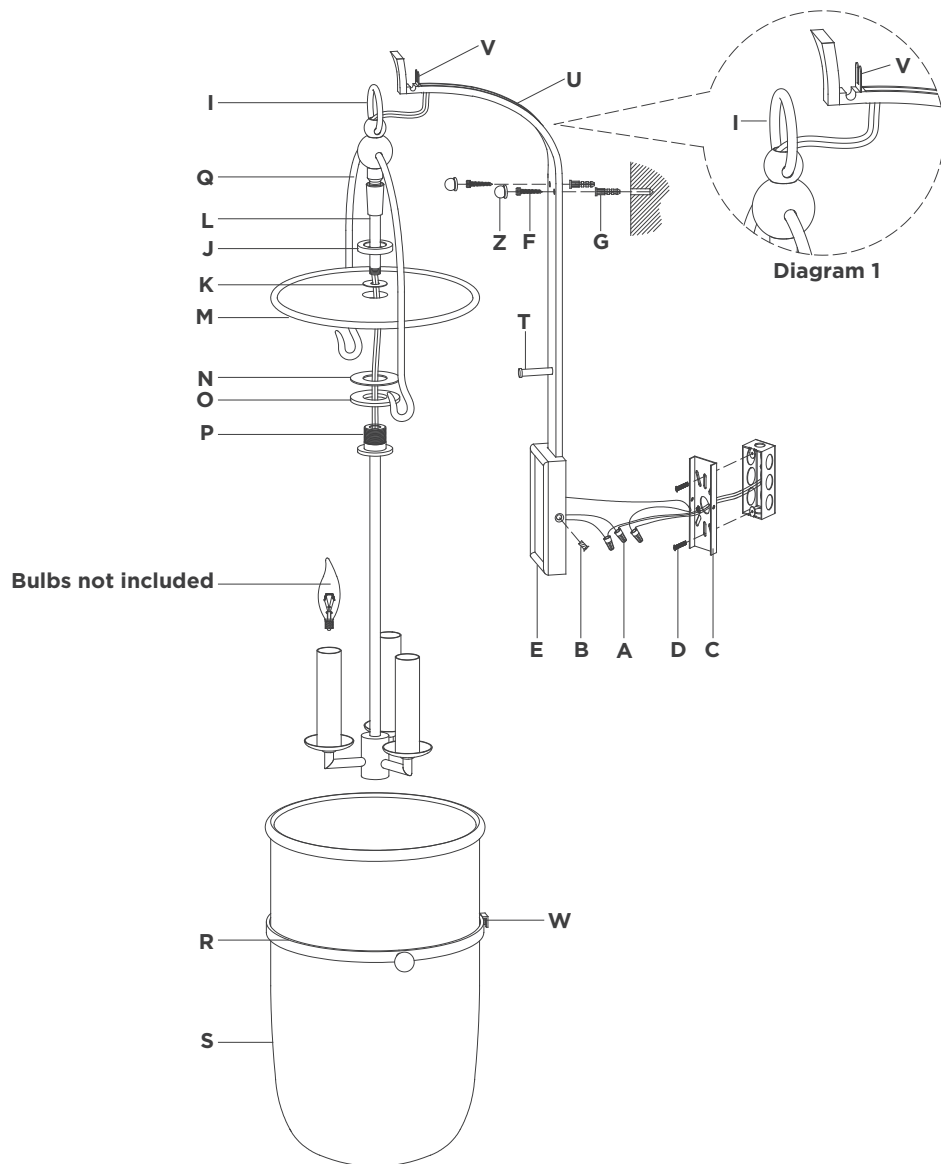
**WARNING\*\*\*SWITCH OFF THE MAIN ELECTRICAL SUPPLY FROM THE MAIN FUSE BOX/CIRCUIT BREAKER BEFORE INSTALLATION.**

**INSPECT ITEM CAREFULLY BEFORE ATTEMPTING TO INSTALL.**

**IF THERE IS ANY DAMAGE OR OBVIOUS DEFECT. DO NOT INSTALL.**

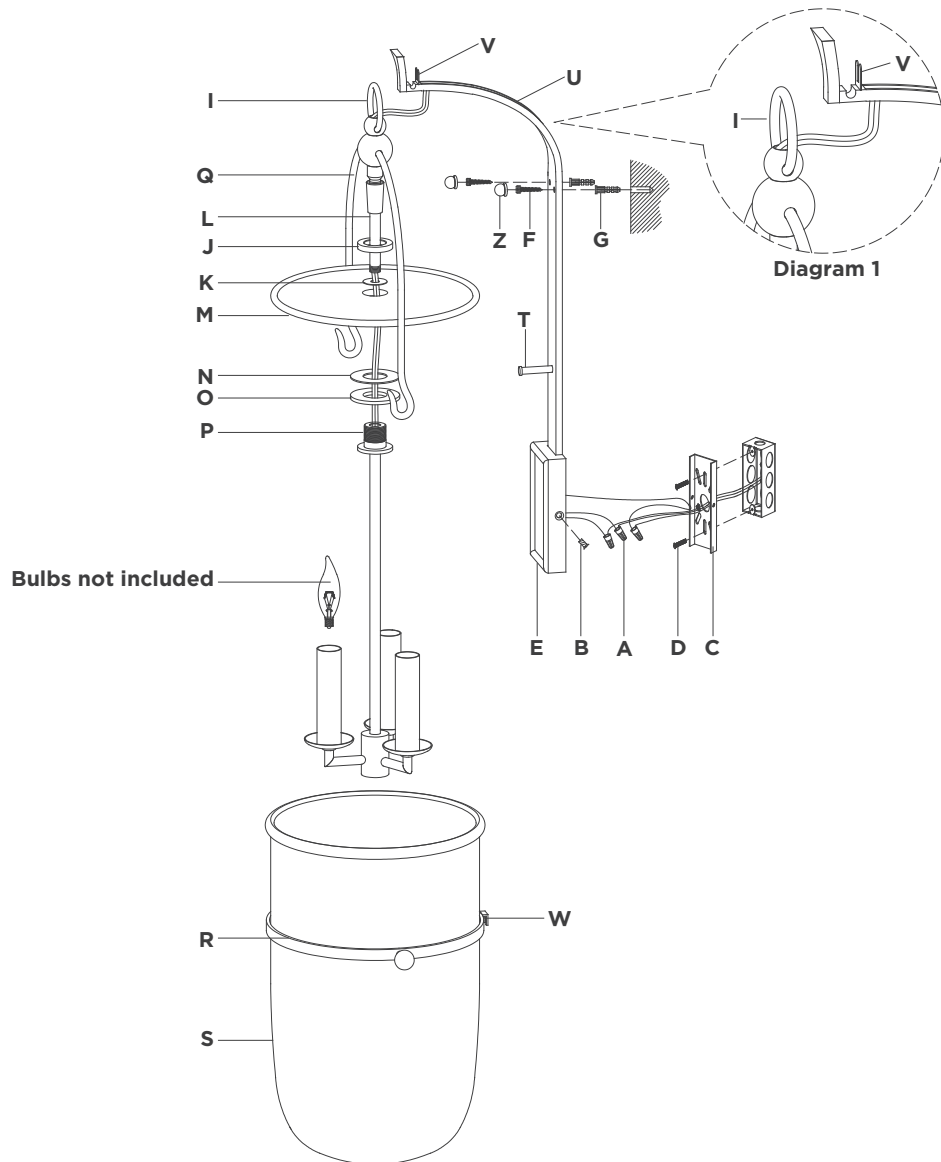
**ITEM MAY NOT BE RETURNED ONCE IT HAS BEEN INSTALLED.**

**NOTE: CAREFULLY UNPACK EACH PIECE IN TOP LAYER OF PACKING PRIOR TO REMOVING. RETAIN ALL PACKING MATERIAL UNTIL INSPECTION AND INSTALLATION ARE FINAL.**



- Carefully remove all parts from the box. Place on a clean, soft surface.
- Remove mounting plate **(C)** from backplate **(E)** by removing screws **(B)**.
- Using backplate **(E)** as a guide, mark anchor positions.  
**NOTE:** Carefully measure distance between mounting points for mounting plate **(C)** and arm **(U)** before moving to the next step.
- Using a drill bit slightly smaller than the anchor, drill holes in the marked positions. Install anchors **(G)** into the holes using hammer.
- Install mounting plate **(C)** to the junction box and secure with mounting screws **(D)**.
- Feed fixture wires through metal washer **(O)**, rubber washer **(N)**, glass diffuser **(M)**, rubber washer **(K)**, check ring **(J)** and tube **(L)**.
- Attach metal washer **(O)**, rubber washer **(N)** and glass diffuser **(M)** to the connector **(P)** and secure with the rubber washer **(K)** and check ring **(J)**.  
**NOTE:** Do not overtighten, otherwise glass could become damaged.
- Thread tube **(L)** to connector **(P)**.
- Hang fixture loop **(I)** to arm **(U)** and secure by bending metal tabs **(V)** (see diagram 1).
- Feed fixture wires through hole and down groove on back of arm **(U)** until wires exit backplate **(E)**.

## ASSEMBLY INSTRUCTIONS



Lorford Medium Sconce

Item # CHD 2270

**WE RECOMMEND INSTALLATION OF THIS LIGHTING FIXTURE BE DONE BY A LICENSED ELECTRICIAN.**

**WARNING\*\*\*SWITCH OFF THE MAIN ELECTRICAL SUPPLY FROM THE MAIN FUSE BOX/CIRCUIT BREAKER BEFORE INSTALLATION.**

**INSPECT ITEM CAREFULLY BEFORE ATTEMPTING TO INSTALL.**

**IF THERE IS ANY DAMAGE OR OBVIOUS DEFECT. DO NOT INSTALL.**

**ITEM MAY NOT BE RETURNED ONCE IT HAS BEEN INSTALLED.**

**NOTE: CAREFULLY UNPACK EACH PIECE IN TOP LAYER OF PACKING PRIOR TO REMOVING. RETAIN ALL PACKING MATERIAL UNTIL INSPECTION AND INSTALLATION ARE FINAL.**

11. Wrap fixture ground wire (bare copper) around the green grounding screw (see diagram 2). Tighten. Continue fixture ground wire and connect to supply ground wire (usually green or bare copper) using wire nut **(A)**.  
**NOTE:** It is imperative that the fixture is grounded.
12. Connect fixture neutral wire ((ribbed) to the supply neutral wire (usually white) using wire nut **(A)**.
13. Connect fixture hot wire (smooth with markings) to the supply hot wire (usually black) using wire nut **(A)**.  
**CAUTION:** Do not reverse the hot and neutral connections.
14. Make sure all wire connections are tight, then carefully tuck into the junction box.
15. Install backplate **(E)** to mounting plate **(C)** and secure with screws **(B)**, then secure wood screws **(F)** to anchors **(G)**.
16. Install threaded caps **(Z)** to wood screws **(F)**.
17. Install light bulbs into the sockets.
18. Gently place glass shade **(S)** into metal ring **(R)**, then align notch **(W)** to post **(T)** and hang to hooks **(Q)** (see diagram 3).
19. Installation is complete.

\*\*\* Clean with a dry, soft cloth only. Do not use harsh abrasives or chemical agents.

\*\*\* For mercury glass, clean with a feather duster. Wiping with a cloth or cleaning solvents may remove antiquing.