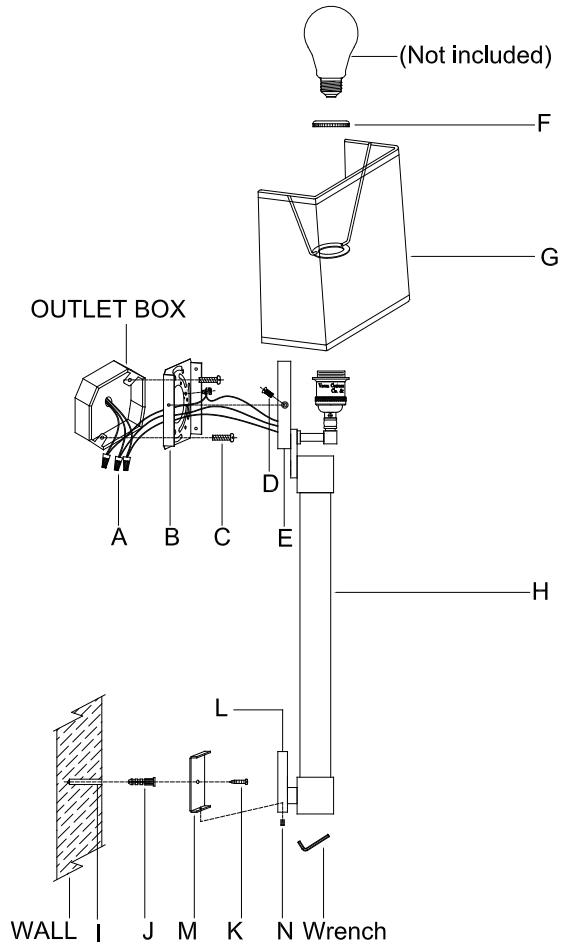


# ASSEMBLY INSTRUCTIONS



## Edgar Medium Sconce

Item # CHD 2712

**WE RECOMMEND INSTALLATION OF THIS LIGHTING FIXTURE BE DONE BY A LICENSED ELECTRICIAN.**

**WARNING\*\*\*SWITCH OFF THE MAIN ELECTRICAL SUPPLY FROM THE MAIN FUSE BOX/CIRCUIT BREAKER BEFORE INSTALLATION.**

**INSPECT ITEM CAREFULLY BEFORE ATTEMPTING TO INSTALL. IF THERE IS ANY DAMAGE OR OBVIOUS DEFECT. DO NOT INSTALL.**

**ITEM MAY NOT BE RETURNED ONCE IT HAS BEEN INSTALLED.**

1. Carefully remove all parts from the box.
2. Remove the mounting plate (B) from backplate (E) by unscrewing the side screws (D).
3. Attach mounting plate (B) onto the outlet box and secure with mounting screws (C).
4. Connect the fixture ground (bare) wire with the ground wire from the outlet box using wire nut (A). If your house does not have ground wire, then attach this wire to the green grounding screw inside of the outlet box.

IT IS IMPERATIVE THAT THIS FIXTURE BE GROUNDED.

5. Connect the Hot wire from the fixture (BLACK) to hot wire from the outlet box. Fasten them together with a plastic wire connector (A).
6. Repeat this procedure for the Neutral wire from the fixture (WHITE) to the wire from the outlet box.

DO NOT REVERSE THE HOT AND NEUTRAL CONNECTIONS OR SAFETY WILL BE COMPROMISED.

7. Twist the wire connections neatly into the outlet box.
8. Drill a hole (I) on the wall.
9. Attach the anchor (J) into the wall hole (I).
10. Attach the bracket (M) onto the anchor (J), and secure with screws (K).
11. Attach the bottom plate (L) onto the bracket (M), and secure with set screws (N), use wrench tighten it.
12. Attach the backplate (E) onto mounting plate (B) and secure with side screws (D).
13. Place the lampshade (G) on the socket and secure with the metal ring (F).
14. Insert bulb (not included) into the socket.
15. Installation is complete, turn on power at fuse or circuit breaker.

\*\*\*Clean with a dry, soft cloth only. Do not use harsh abrasives or chemical agents.

