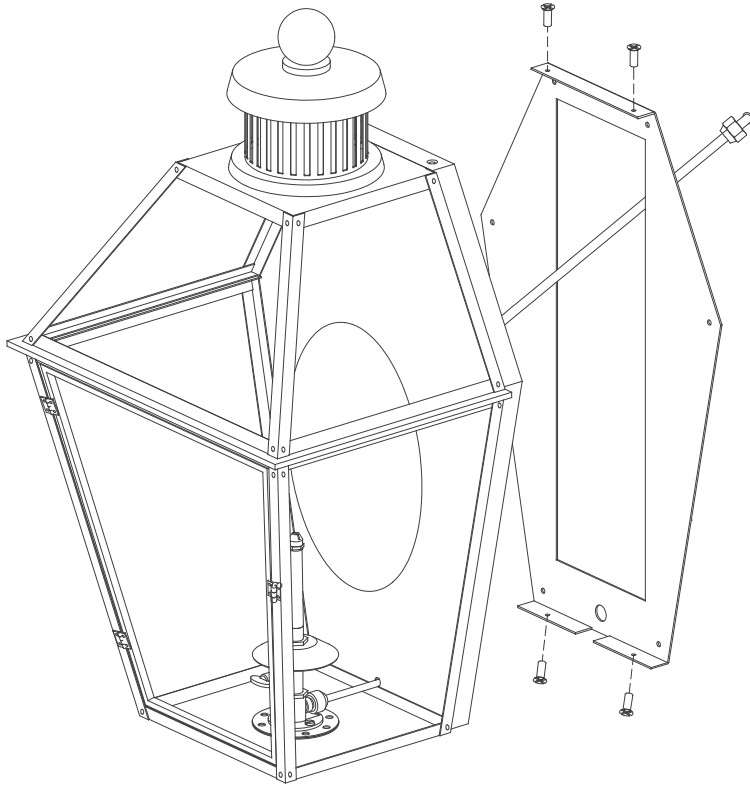


## ASSEMBLY INSTRUCTIONS

Stratford Large 3/4 Gas Wall Lantern  
Item # CHO 2452

### FOR YOUR SAFETY:



#### **⚠ DANGER**

#### **FIRE OR EXPLOSION HAZARD**

If you smell gas:

- Shut off gas to the appliance.
- Extinguish any open flame.
- If odor continues, leave the area immediately.
- After leaving the area, call your gas supplier or fire department.
- Do not store or use gasoline or other flammable vapors and liquids in the vicinity of this or any other appliance.
- Fixtures must be installed at least 3" from combustable walls and 12" from combustable ceilings.
- Installation must conform with local codes or, in the absence of local codes, the National Fuel Gas Code, ANSI Z223.1.
- A statement that the installation shall be in accordance with the current edition of:
  - i) CSA B149.1, Natural Gas and Propane Installation Code; or
  - ii) local codes where applicable;

**Failure to follow these instructions could result in fire or explosion, which could cause property damage, personal injury, or death.**

Save these instructions for future reference.

Please contact [support@visualcomfort.com](mailto:support@visualcomfort.com) for additional information on obtaining replacement parts.

VISUAL COMFORT & Co.



## ASSEMBLY INSTRUCTIONS

### Stratford Large 3/4 Gas Wall Lantern

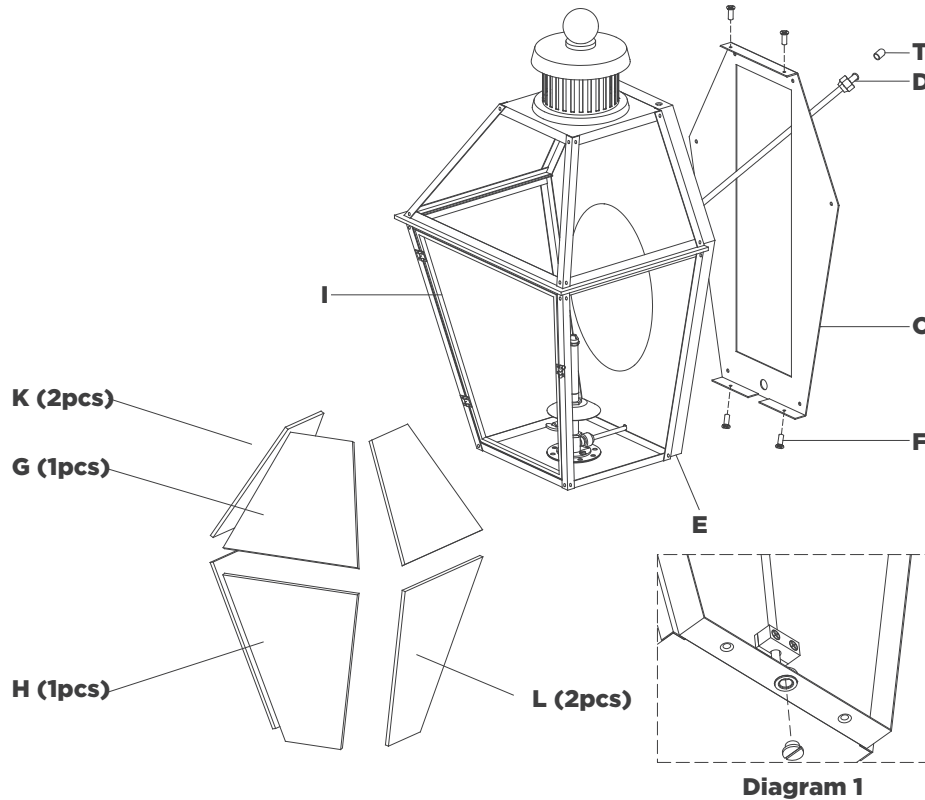
Item # CHO 2452

#### NOTICE:

This light fixture should be installed in accordance with all applicable, local installation codes, and by a person familiar with the construction and operation of it, as well as the hazards involved. Inspect item and contents carefully. If any damage or defect is found, do not install. Retain all packaging material until installation is complete and approved.

#### TOOLS REQUIRED (NOT INCLUDED):

Phillips Screwdriver	Slotted Screwdriver	Hammer
Drill	Pencil	



- Carefully remove all parts from the box. Place on a clean, soft surface.  
**NOTE:** Please wear the provided gloves when installing this light fixture to avoid damaging the finish of fixture body.
- Remove mounting plate **(C)** from fixture **(E)** by removing screws **(F)**.
- Using mounting plate **(C)** as a guide, mark mounting hardware positions and follow mounting hardware instructions to secure mounting plate to wall surface.  
**NOTE:** Due to various mounting surface types, mounting hardware is not included. Please select proper hardware based on surface application.
- Install glass parts **(G & K)** to fixture **(E)** and secure by bending metal tabs.
- Open fixture door **(I)**, then install glass parts **(L)** to fixture **(E)** and secure by bending metal tabs.
- Install glass part **(H)** to door **(I)** and secure by bending metal tabs, then close the door.
- Remove protective cover **(T)** from gas tubing **(D)**, then connect gas tubing **(D)** from lantern to gas source using proper connection method.  
**NOTE:** If gas tubing cannot be connected behind back plate, remove grommet from bottom of back plate for alternate exit location (See diagram 1).

## ASSEMBLY INSTRUCTIONS

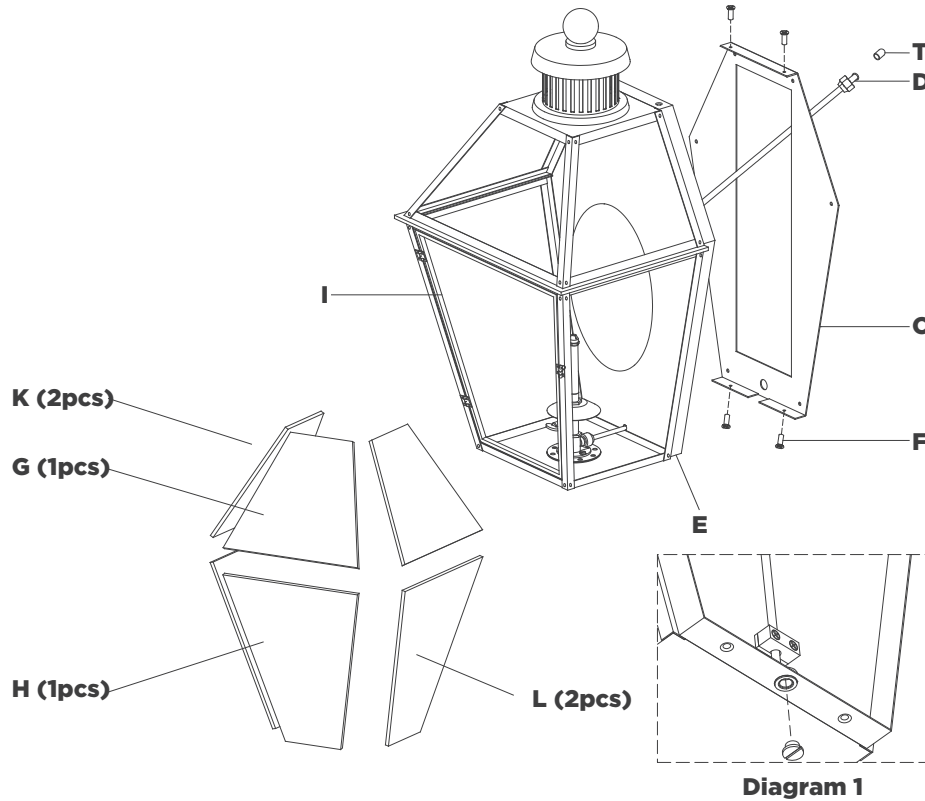
### Stratford Large 3/4 Gas Wall Lantern Item # CHO 2452

#### NOTICE:

This light fixture should be installed in accordance with all applicable, local installation codes, and by a person familiar with the construction and operation of it, as well as the hazards involved. Inspect item and contents carefully. If any damage or defect is found, do not install. Retain all packaging material until installation is complete and approved.

8. Install fixture **(E)** to mounting plate **(C)** and secure with screws **(F)**.
9. Double check gas connections and test for leaks before attempting to light lantern.

**ADDITIONAL HARDWARE INCLUDED:** For your convenience, 3/8" gas adapters and additional 1/4" flare nut fitting included inside box. Discard if not required.



## ASSEMBLY INSTRUCTIONS

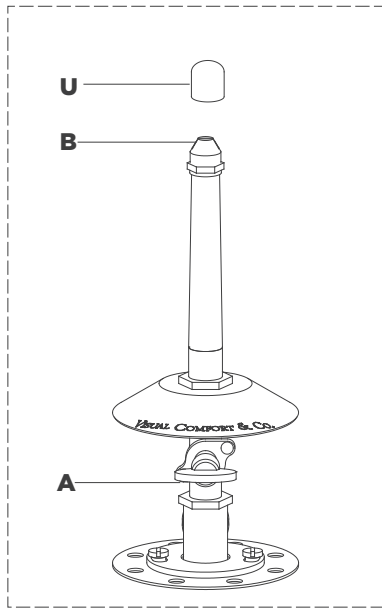


Diagram 2

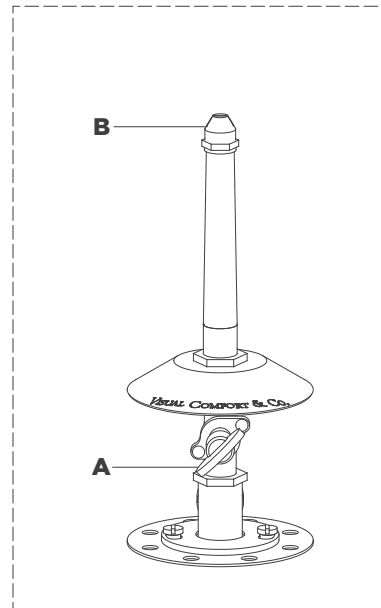


Diagram 3

## LIGHTING YOUR LANTERN

### NOTICE:

This light fixture should be installed in accordance with all applicable, local installation codes, and by a person familiar with the construction and operation of it, as well as the hazards involved. Inspect item and contents carefully. If any damage or defect is found, do not install. Retain all packaging material until installation is complete and approved.

### LIGHTING YOUR LANTERN

1. Remove protective cover **(U)** from burner tip **(B)**.
2. Turn valve **(A)** to off position before turning on gas supply to lantern (See diagram 2).
3. Open door and allow to completely air out.
4. With lighter/flame above the burner tip **(B)**, press in and turn valve **(A)** counter-clockwise approximately 30 degrees until flame appears (See diagram 3).
5. Adjust flame to desired height.

**NOTE:** Do not operate fixture with gas valve fully open or flame height greater than 3".

### MAINTENANCE: CHECK BEFORE EVERY USE

1. Keep appliance area clear and free from combustible materials, gasoline and other flammable vapors and liquids.
2. Check burner area to ensure flow of gas or combustion is never obstructed.
3. Always ensure proper ventilation before use.

### CARE INSTRUCTION

1. Allow for item to cool completely before cleaning.
2. Use feather duster or soft cloth to clean surface.
3. Use damp towel to clean glass.
4. No abrasives or chemical agents.