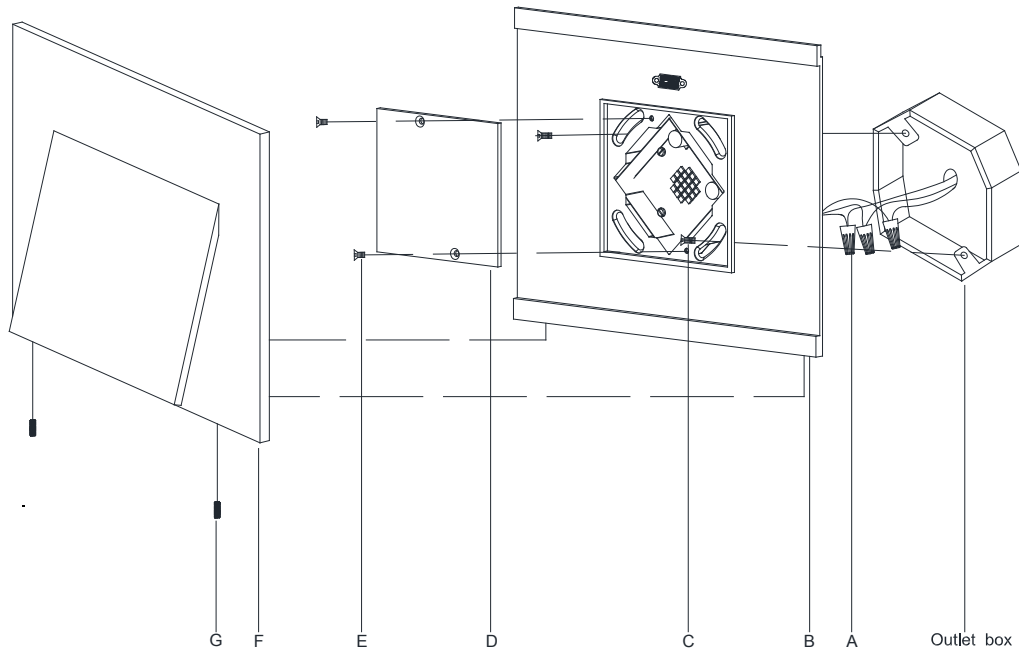


ASSEMBLY INSTRUCTIONS



Esker Envelope Sconce

Item # KW 2706

WE RECOMMEND INSTALLATION OF THIS LIGHTING FIXTURE BE DONE BY A LICENSED ELECTRICIAN.

WARNING*SWITCH OFF THE MAIN ELECTRICAL SUPPLY FROM THE MAIN FUSE BOX/CIRCUIT BREAKER BEFORE INSTALLATION.**

INSPECT ITEM CAREFULLY BEFORE ATTEMPTING TO INSTALL. IF THERE IS ANY DAMAGE OR OBVIOUS DEFECT. DO NOT INSTALL.

ITEM MAY NOT BE RETURNED ONCE IT HAS BEEN INSTALLED.

NOTE: CAREFULLY UNPACK EACH PIECE IN TOP LAYER OF PACKING PRIOR TO REMOVING. RETAIN ALL PACKING MATERIAL UNTIL INSPECTION AND INSTALLATION ARE FINAL.

1. Carefully remove all parts from the box.
 2. Remove the metal shade (F) from the backplate (B) by loosening screws (G).
 3. Remove the diffuser (D) from the backplate (B) by loosening screws (E).
 4. Connect the fixture Neutral wire (WHITE) with the neutral wire from the outlet box using wire nut (A).
 5. Connect the fixture Hot (BLACK) wire with the hot wire from the outlet box using wire nut (A).
DO NOT REVERSE THE HOT AND NEUTRAL CONNECTIONS OR SAFETY WILL BE COMPROMISED.
 6. Connect ground wire from the fixture (bare copper) to ground wire from the outlet box (usually green or copper in color).
- IT IS IMPERATIVE THAT THIS FIXTURE BE GROUNDED.
7. Affix backplate (B) onto the outlet box and secure with mounting screws (C).
 8. Attach the diffuser (D) to the backplate (B) and secure with screws (E).
 9. Hang the metal shade (F) onto the backplate (B) and secure with screws (G).
 10. Installation is complete, turn on power at fuse or circuit breaker.

***Clean with a dry, soft cloth only. Use no harsh abrasives or chemical agents.