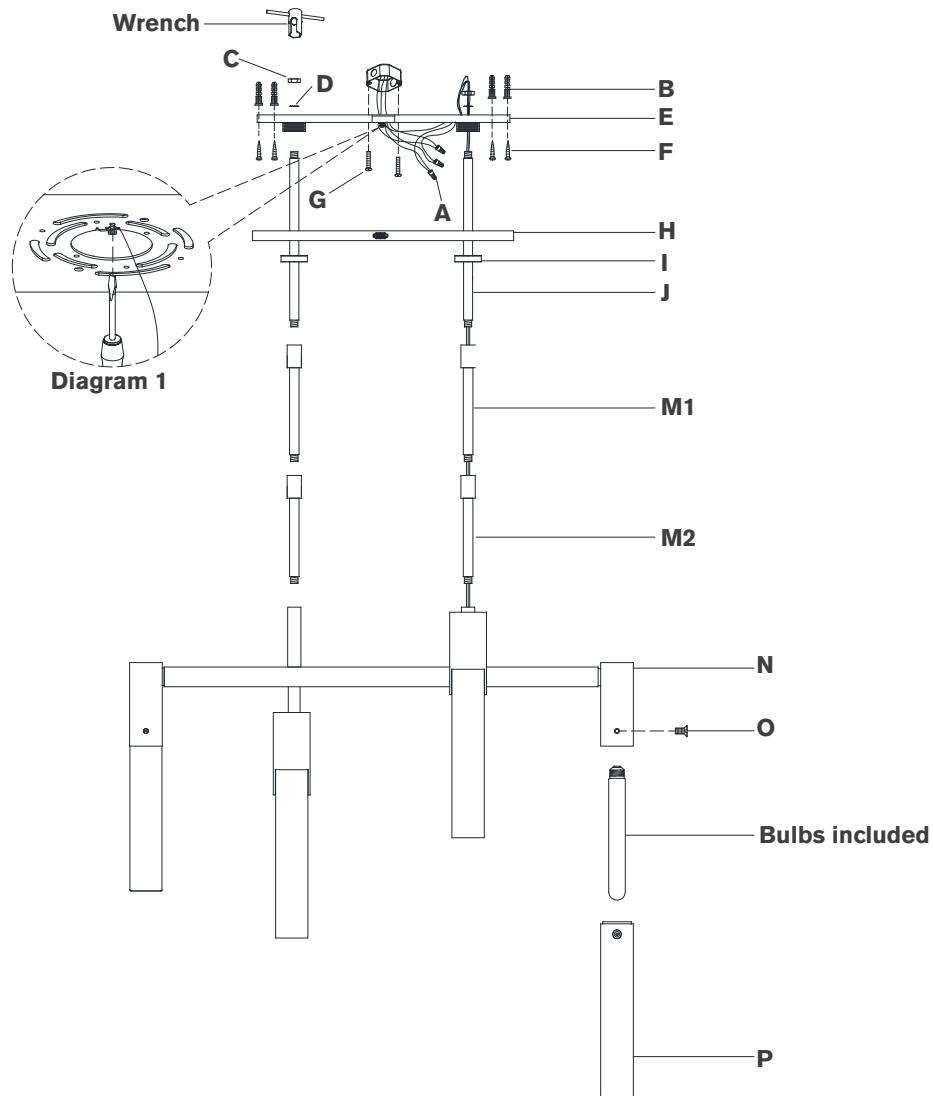


ASSEMBLY INSTRUCTIONS



Covet Small Chandelier

Item # KW 5112

NOTICE:

This light fixture should be installed in accordance with all applicable, local installation codes, and by a person familiar with the construction and operation of it, as well as the hazards involved. Inspect item and contents carefully. If any damage or defect is found, do not install. Retain all packaging material until installation is complete and approved.

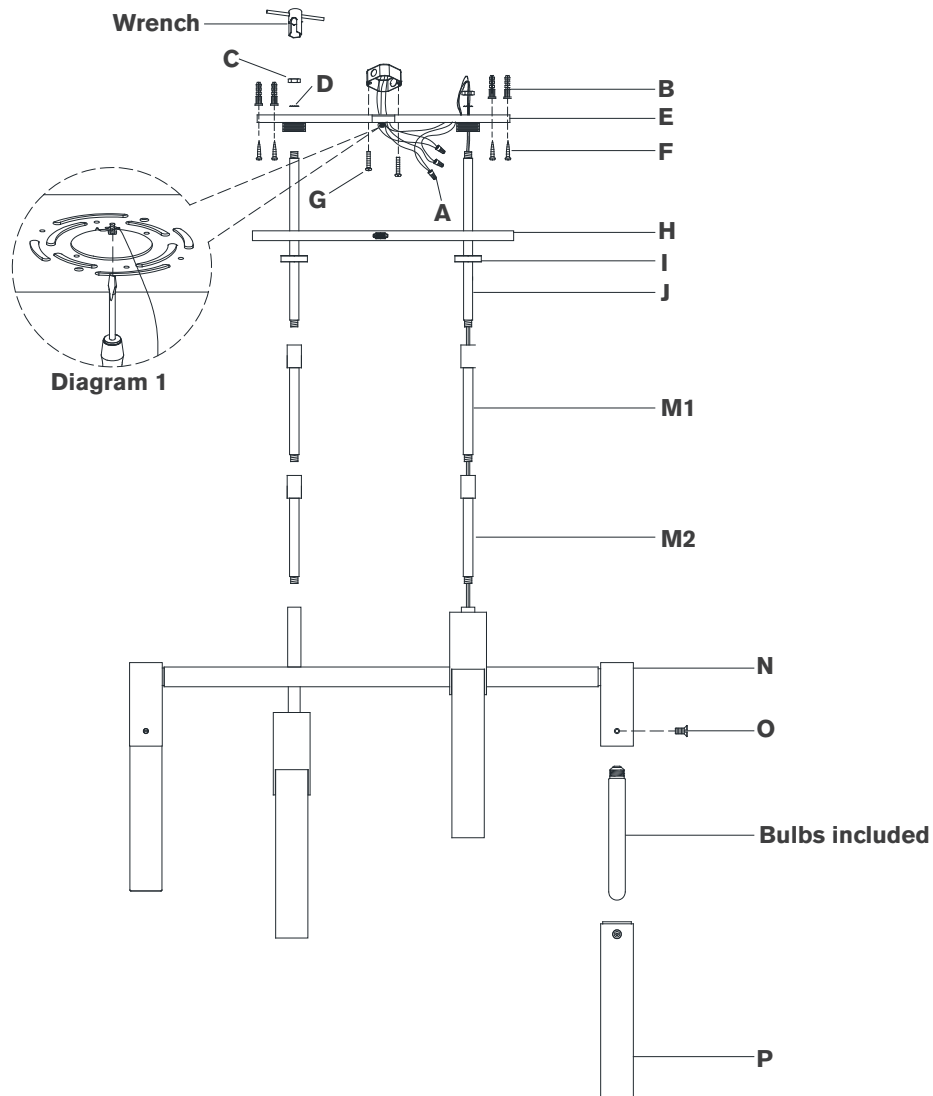
TOOLS REQUIRED (NOT INCLUDED):

Phillips Screwdriver	Slotted Screwdriver	Measuring Tape
Wire Cutters	Wire Strippers	Hammer
Pencil	Drill	

PERSONS REQUIRED: Two

1. Carefully remove all parts from the box. Place on a clean, soft surface.
2. Remove mounting plate (E) from canopy (H) by removing collar rings (I).
3. Using mounting plate (E) as a guide, line up with the junction box and mark anchor positions.
4. Using a drill bit slightly smaller than the anchor, drill holes in the marked positions. Install anchors (B) into the holes.
5. Feed electrical and ground wires through rods (M2) and connect to fixture body (N). Repeat for rods (M1), connecting to rods (M2).
6. Continue feeding wires through collar rings (I), canopy (H) and rods (J).
NOTE: It is recommended to have a helper assist in supporting the fixture for step 7~9.
7. Holding fixture upright, slide collar rings (I) and canopy (H) down and rest on fixture body (N). Then connect top rods (J) to rods (M1).
NOTE: Slide components down slowly to avoid damages.
8. Install mounting plate (E) to rods (J) and secure with lock washers (D) and hex nuts (C) using the provided wrench.
9. Install mounting plate (E) to the junction box and secure with mounting screws (G), then secure wood screws (F) to anchors (B).

ASSEMBLY INSTRUCTIONS



Covet Small Chandelier

Item # KW 5112

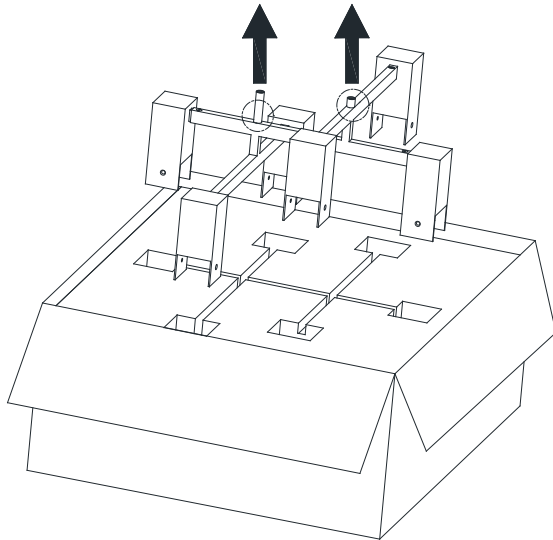
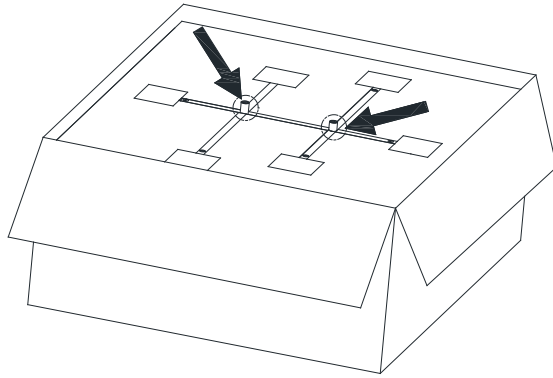
NOTICE:

This light fixture should be installed in accordance with all applicable, local installation codes, and by a person familiar with the construction and operation of it, as well as the hazards involved. Inspect item and contents carefully. If any damage or defect is found, do not install. Retain all packaging material until installation is complete and approved.

10. Cut excess wires, being sure to leave enough to reach the junction box. Separate wires, and strip insulation on each 5/8".
11. Wrap fixture ground wire (bare copper) around the green grounding screw (see diagram 1). Tighten. Continue fixture ground wire and connect to supply ground wire (usually green or bare copper) using wire nut (A).
- NOTE:** It is imperative that the fixture is grounded.
12. Connect fixture neutral wire (ribbed) to the supply neutral wire (usually white) using wire nut (A).
13. Connect fixture hot wire (smooth with markings) to the supply hot wire (usually black) using wire nut (A).
- CAUTION:** Do not reverse the hot and neutral connections.
14. Make sure all wire connections are tight, then carefully tuck into the junction box.
15. Install canopy (H) to mounting plate (E) and secure with collar rings (I).
16. Install light bulbs into the sockets.
17. Install alabaster shades (P) to fixture (N) and secure with screws (O).
- NOTE:** Do not overtighten otherwise shade could become damaged.

Care Instructions: Clean only with a soft dry cloth or feather duster. Do not use abrasive or chemical agents.

UNPACKING NOTICE



Covet Small Chandelier

Item # KW 5112

NOTICE:

Please follow instructions below to avoid possible damages caused by improper removal.

1. Open box and remove top layer of packaging.
2. Evenly lift item frame in areas indicated by arrows (see diagram) until clear of packaging. Place on clean, soft surface.

NOTE: Remove slowly to avoid damages.