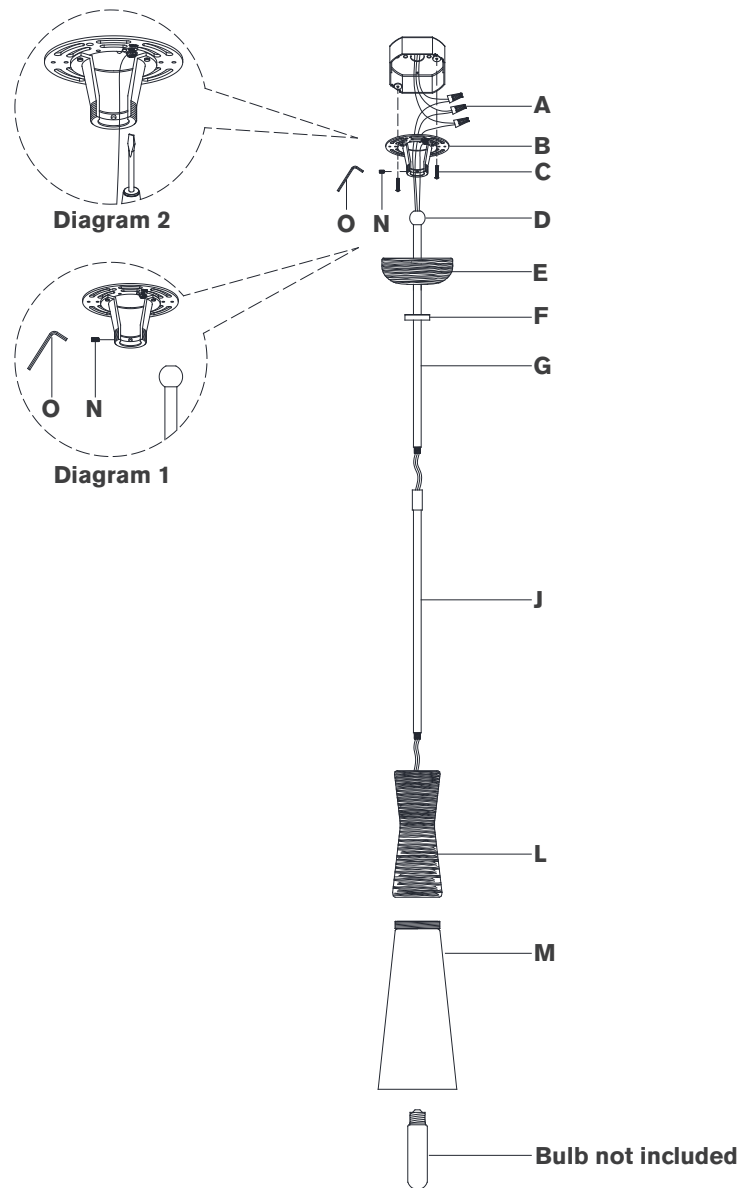


ASSEMBLY INSTRUCTIONS



Utopia Medium Pendant

Item # KW 5533

NOTICE:

This light fixture should be installed in accordance with all applicable, local installation codes, and by a person familiar with the construction and operation of it, as well as the hazards involved. Inspect item and contents carefully. If any damage or defect is found, do not install. Retain all packaging material until installation is complete and approved.

TOOLS REQUIRED (NOT INCLUDED):

Phillips Screwdriver Slotted Screwdriver Wire Cutters
Wire Strippers

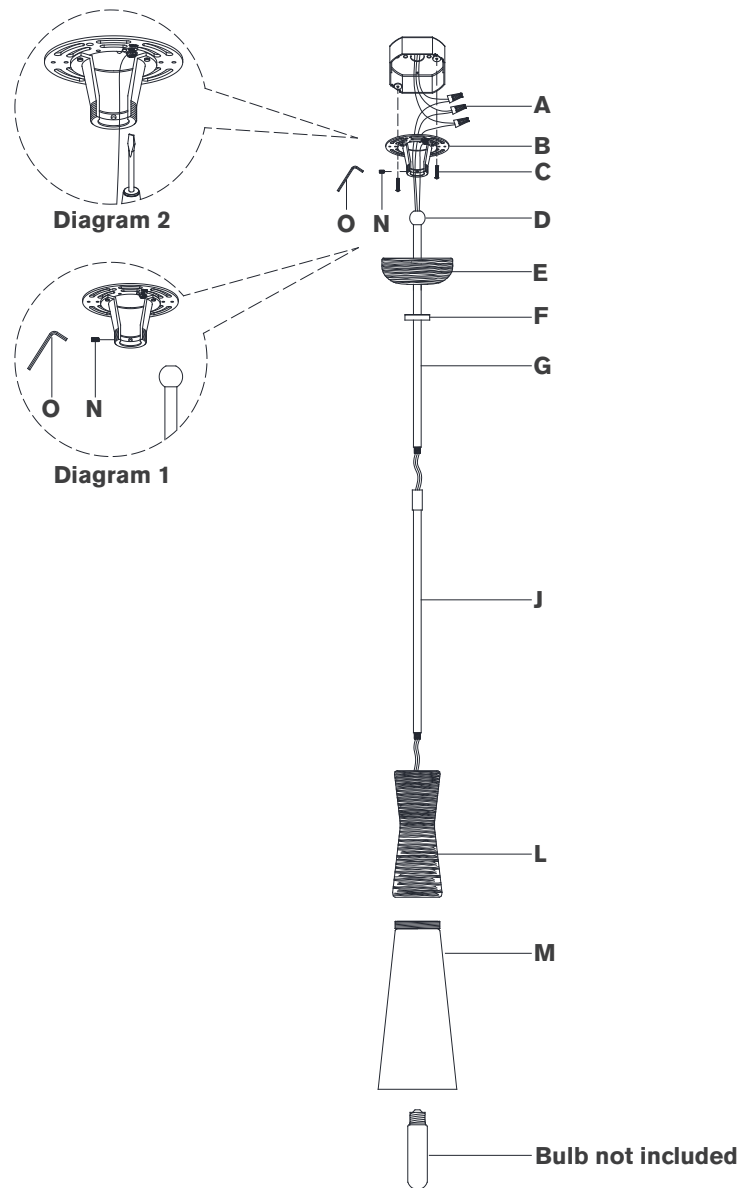
1. Carefully remove all parts from the box. Place on a clean, soft surface.
2. Remove mounting plate (B) from canopy (E) by loosening collar ring (F).
3. Install mounting plate (B) to the junction box and secure with mounting screws (C).
4. Feed electrical wires through bottom rod (J) and connect to fixture body (L).
5. Feed electrical wires through collar ring (F), canopy (E) and top rod (G).
6. Holding fixture upright, slide collar ring (F), canopy (E) down rods and rest on fixture (L). Then connect top rod (G) to bottom rod (J).
7. Hang fixture swivel ball (D) to center of mounting plate (B) and secure with set screw (N) using provided wrench (O). See diagram 1.

NOTE: Slide components down slowly to avoid damages.

8. Cut excess wires, being sure to leave enough to reach the junction box. Separate wires, and strip insulation on each 5/8".
9. Wrap fixture ground wire (bare copper) around the green grounding screw (see diagram 2). Tighten. Continue fixture ground wire and connect to supply ground wire (usually green or bare copper) using wire nut (A).

NOTE: It is imperative that the fixture is grounded.

ASSEMBLY INSTRUCTIONS



Utopia Medium Pendant

Item # KW 5533

NOTICE:

This light fixture should be installed in accordance with all applicable, local installation codes, and by a person familiar with the construction and operation of it, as well as the hazards involved. Inspect item and contents carefully. If any damage or defect is found, do not install. Retain all packaging material until installation is complete and approved.

10. Connect fixture neutral wire (white) to the supply neutral wire (usually white) using wire nut **(A)**.
11. Connect fixture hot wire (black) to the supply hot wire (usually black) using wire nut **(A)**.
CAUTION: Do not reverse the hot and neutral connections.
12. Make sure all wire connections are tight, then carefully tuck into the junction box.
13. Install canopy **(E)** to mounting plate **(B)** and secure with collar ring **(F)**.
14. Thread shade **(M)** to fixture **(L)**.
NOTE: Do not overtighten otherwise shade could become damaged.
15. Install light bulb into the socket.

Care Instructions: Clean only with a soft dry cloth or feather duster. Do Not use abrasive or chemical agents.