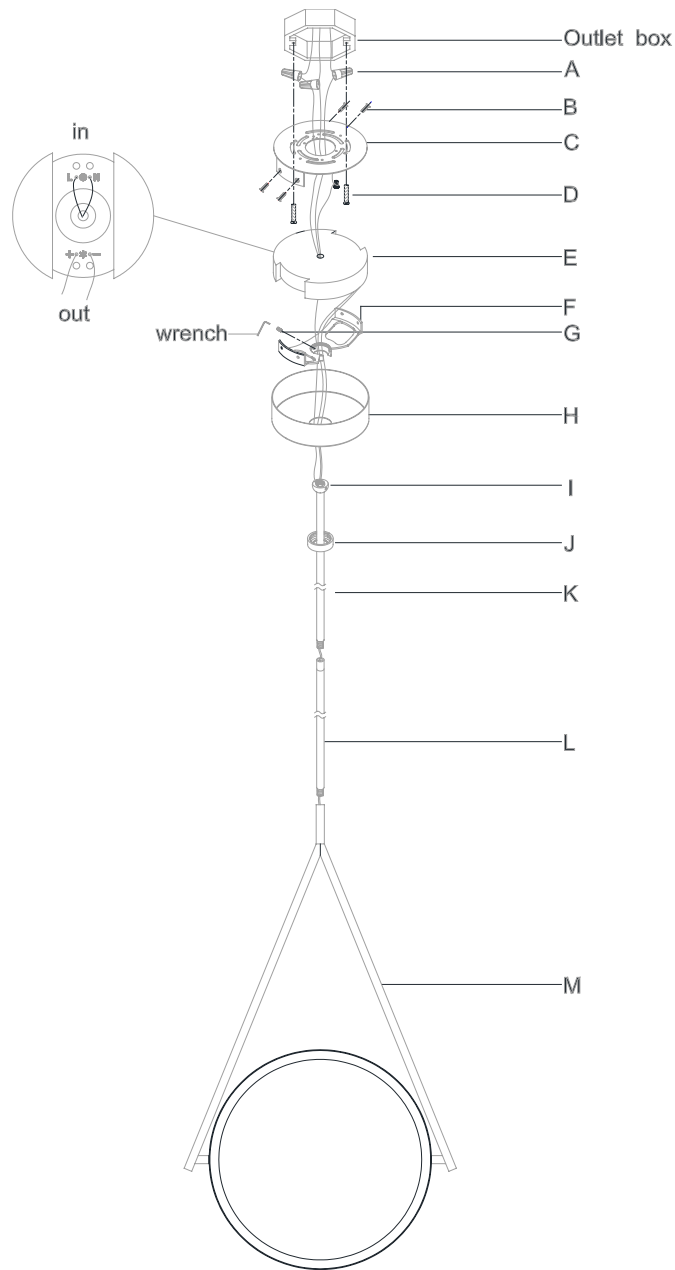


## ASSEMBLY INSTRUCTIONS



## Stance 13"/16" Rotating Pendant

Item # PB5005/PB5006

**WE RECOMMEND INSTALLATION OF THIS LIGHTING FIXTURE BE DONE BY A LICENSED ELECTRICIAN.**

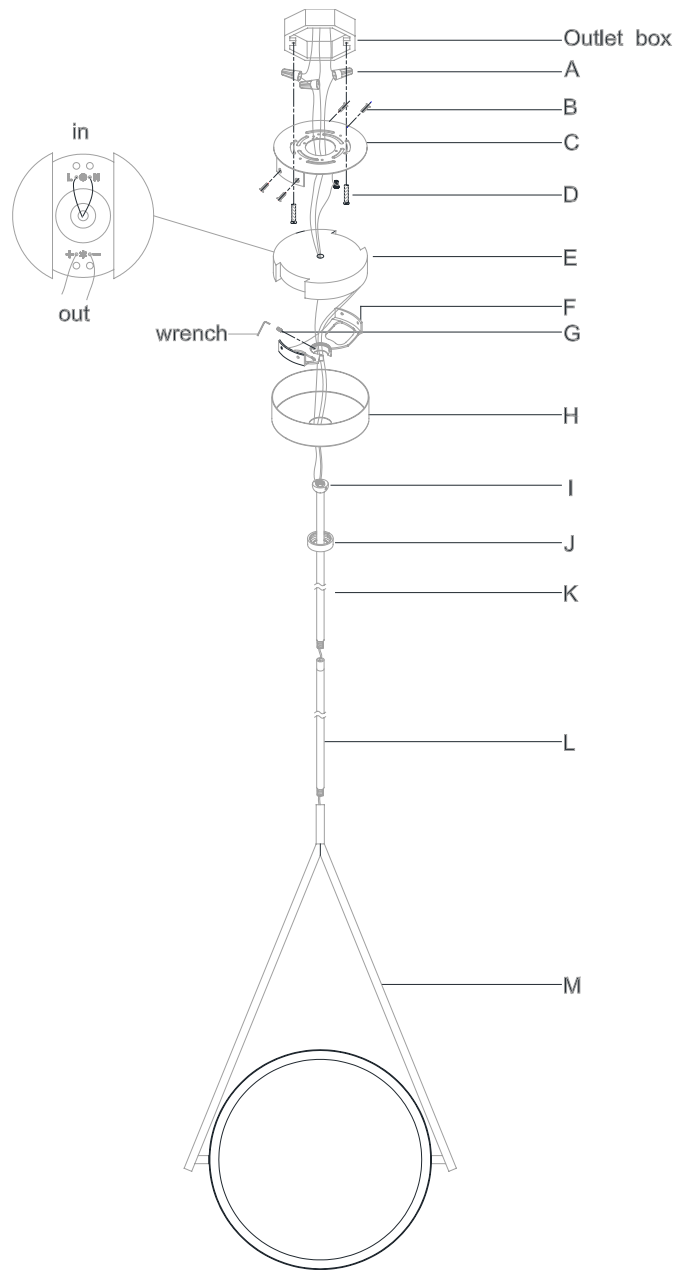
**WARNING \*\*\* SWITCH OFF THE MAIN ELECTRICAL SUPPLY FROM THE MAIN FUSE BOX/CIRCUIT BREAKER BEFORE INSTALLATION.**

**INSPECT ITEM CAREFULLY BEFORE ATTEMPTING TO INSTALL. IF THERE IS ANY DAMAGE OR OBVIOUS DEFECT, DO NOT INSTALL.**

**ITEM MAY NOT BE RETURNED ONCE IT HAS BEEN INSTALLED.**

1. Carefully remove all parts from the box.
2. Remove the canopy (H) from the backplate (F) by loosening the lock collar (J).
3. Remove the mounting plate (C) from the backplate (F) by loosening side screws (B).
4. Affix mounting plate (C) onto the outlet box and secure with mounting screws (D).
5. Feed the fixture wire through the tube (L), lock collar (J), tube (K) and canopy.
6. Thread the tube (L) to the fixture body (M), then thread the tube (K) to the tube (L).
7. Attach backplate (F) to the connector (I) and secure with screw (G) by using the wrench.
8. Let the jump wire and ground wire pass through the center hole on the driver (E). Insert the jump Hot wire (smooth edge, markings) into the hole (marked "L") on the driver (E), then insert the jump Neutral wire (ribbed, no markings) into the hole (marked "N") on the driver (E).
9. With help, raise the fixture body, measure the fixture wire then cut.
10. Connect the fixture Ground (bare) wire with the ground wire from the outlet box using wire nut (A). If your house does not have ground wire, then attach this wire to the green grounding screw inside of the outlet box.  
IT IS IMPERATIVE THAT THIS FIXTURE BE GROUNDED.
11. Connect the jump Neutral wire (ribbed, no markings) with the neutral wire from the outlet box using wire nut (A).
12. Connect the jump Hot wire (smooth edge, markings) with the hot wire from the outlet box using wire nut (A). DO NOT REVERSE THE HOT AND NEUTRAL CONNECTIONS OR SAFETY WILL BE COMPROMISED.

## ASSEMBLY INSTRUCTIONS



## Stance 13"/16" Rotating Pendant

Item # PB5005/PB5006

**WE RECOMMEND INSTALLATION OF THIS LIGHTING FIXTURE BE DONE BY A LICENSED ELECTRICIAN.**

**WARNING \*\*\* SWITCH OFF THE MAIN ELECTRICAL SUPPLY FROM THE MAIN FUSE BOX/CIRCUIT BREAKER BEFORE INSTALLATION.**

**INSPECT ITEM CAREFULLY BEFORE ATTEMPTING TO INSTALL. IF THERE IS ANY DAMAGE OR OBVIOUS DEFECT, DO NOT INSTALL.**

**ITEM MAY NOT BE RETURNED ONCE IT HAS BEEN INSTALLED.**

13. Tuck these wire connections neatly into the outlet box to secure.
14. Insert the fixture Hot wire (RED) into the hole (marked "+") on the driver (E), then insert the fixture Neutral wire (BLACK) into the hole (marked "-") on the driver (E).
15. Attach backplate (F) to the mounting plate (C) and secure with side screws (B).
16. Attach canopy (H) to the backplate (F) and secure with lock collar (J).
17. Installation is complete, turn on power at fuse or circuit breaker.

\*\*\*Clean with a dry, soft cloth only. Do not use harsh abrasives or chemical agents.