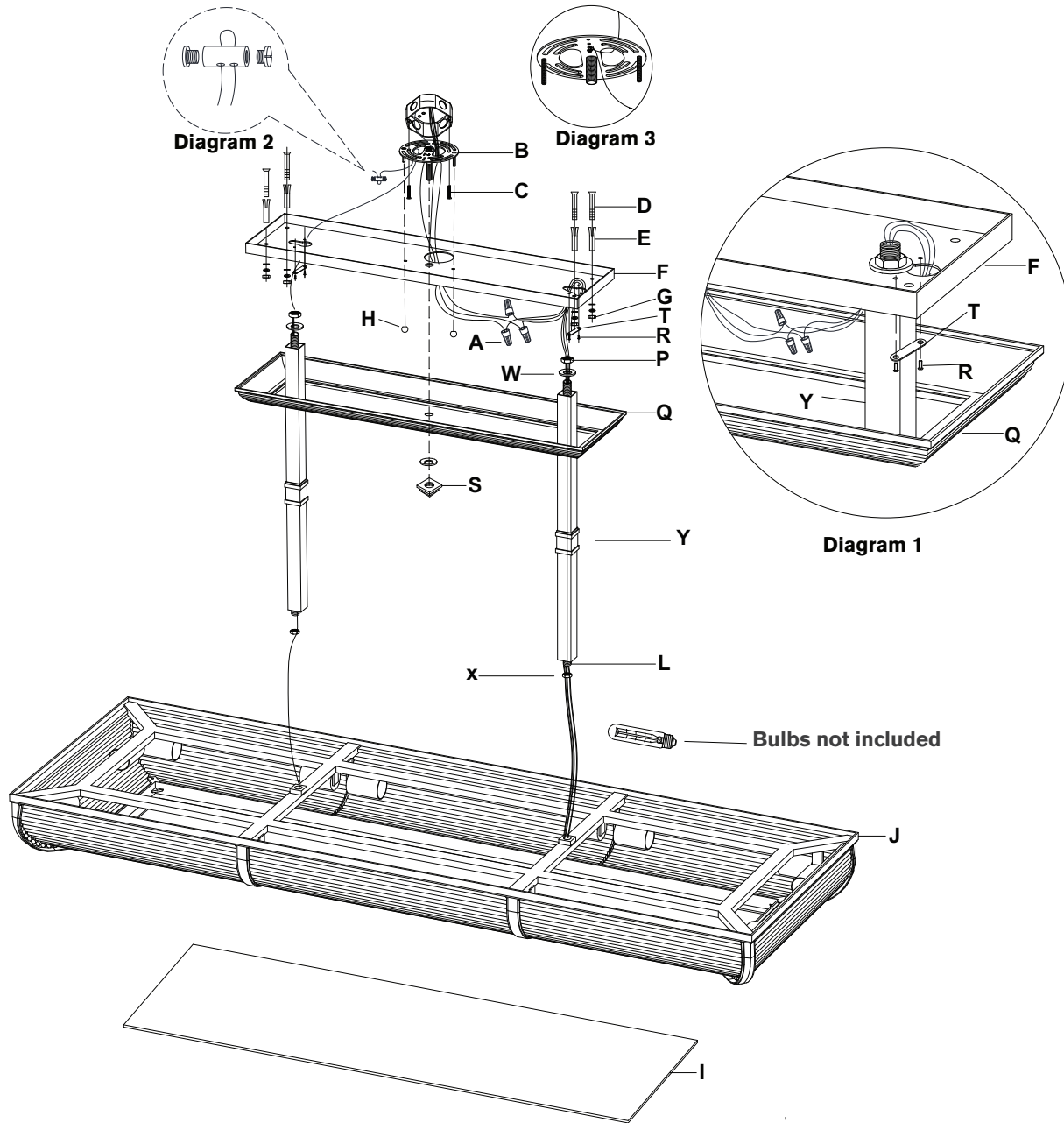


ASSEMBLY INSTRUCTIONS



Perry Medium Linear Pendant

Item # RL 5075

NOTICE:

This light fixture should be installed in accordance with all applicable, local installation codes, and by a person familiar with the construction and operation of it, as well as the hazards involved. Inspect item and contents carefully. If any damage or defect is found, do not install. Retain all packaging material until installation is complete and approved.

TOOLS REQUIRED (NOT INCLUDED):

Phillips Screwdriver	Slotted Screwdriver	Hammer
Slip Joint Pliers	Wire Strippers	Measuring Tape
Wire Cutters	Pencil	Drill

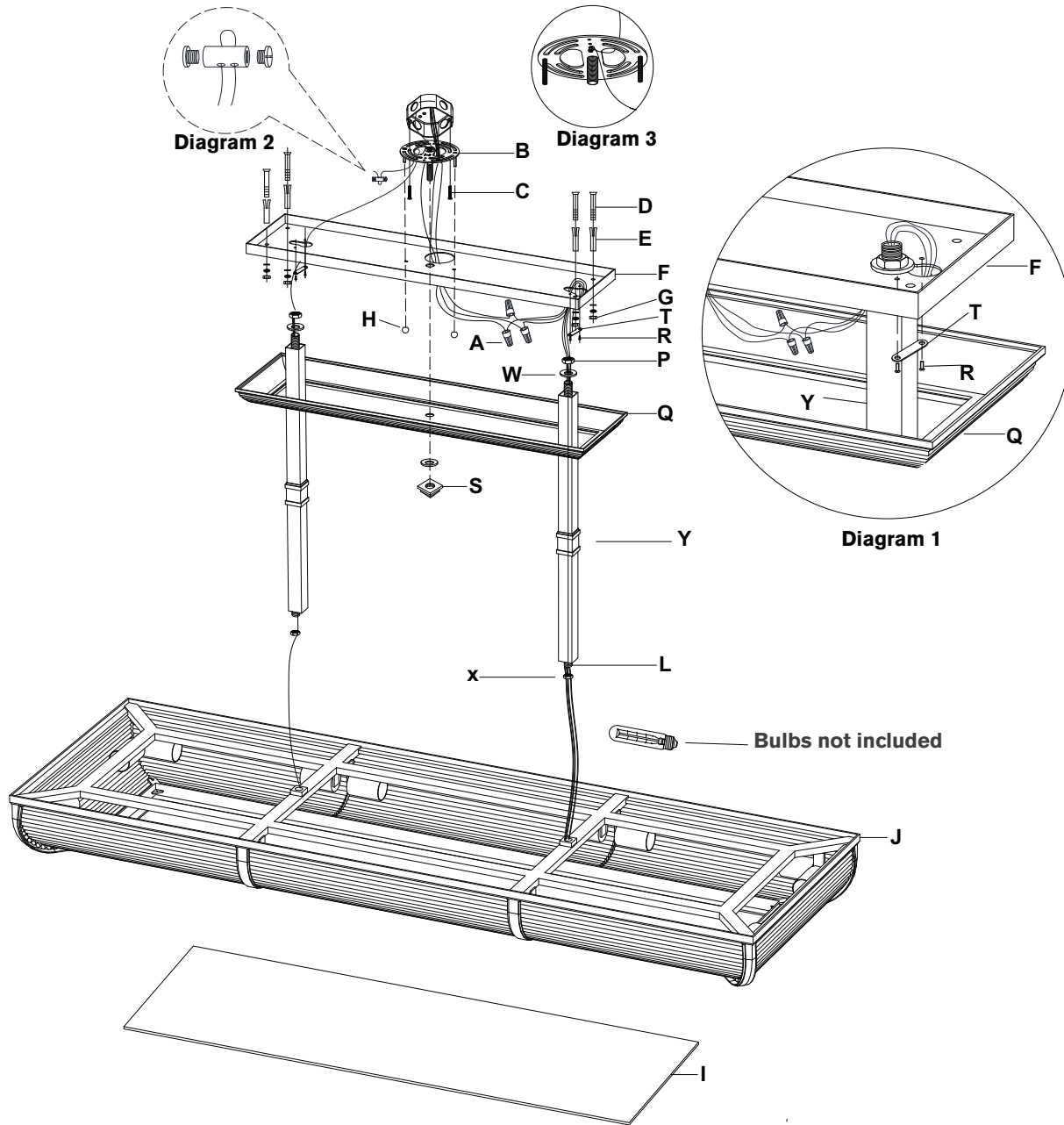
PERSONS REQUIRED: Two

1. Carefully remove all parts from the box. Place on a clean, soft surface.
2. Remove mounting plate **(B)** from mounting plate **(F)** by removing threaded caps **(S)**.
3. Install mounting plate **(B)** to junction box and secure with mounting screws **(C)**.
3. Using the mounting plate **(F)** as a guide, line up with the ceiling and mark expansion anchor positions.
4. Using a drill bit slightly smaller than the expansion anchors, drill holes in the marked positions. Install expansion anchors **(E)** and screws **(D)** into the holes using hammer.
5. Install glass panel **(I)** to the bottom of fixture frame **(J)** and secure by bending metal tabs.
6. Install light bulbs into the sockets.
7. Feed fixture wires and safety cable through hex nut **(X)** and rods **(Y)**, then connect to fixture frame **(J)**.
8. Continue feeding fixture wires and safety cable through canopy **(Q)** and mounting plate **(F)**.

RALPH LAUREN



ASSEMBLY INSTRUCTIONS



Perry Medium Linear Pendant

Item # RL 5075

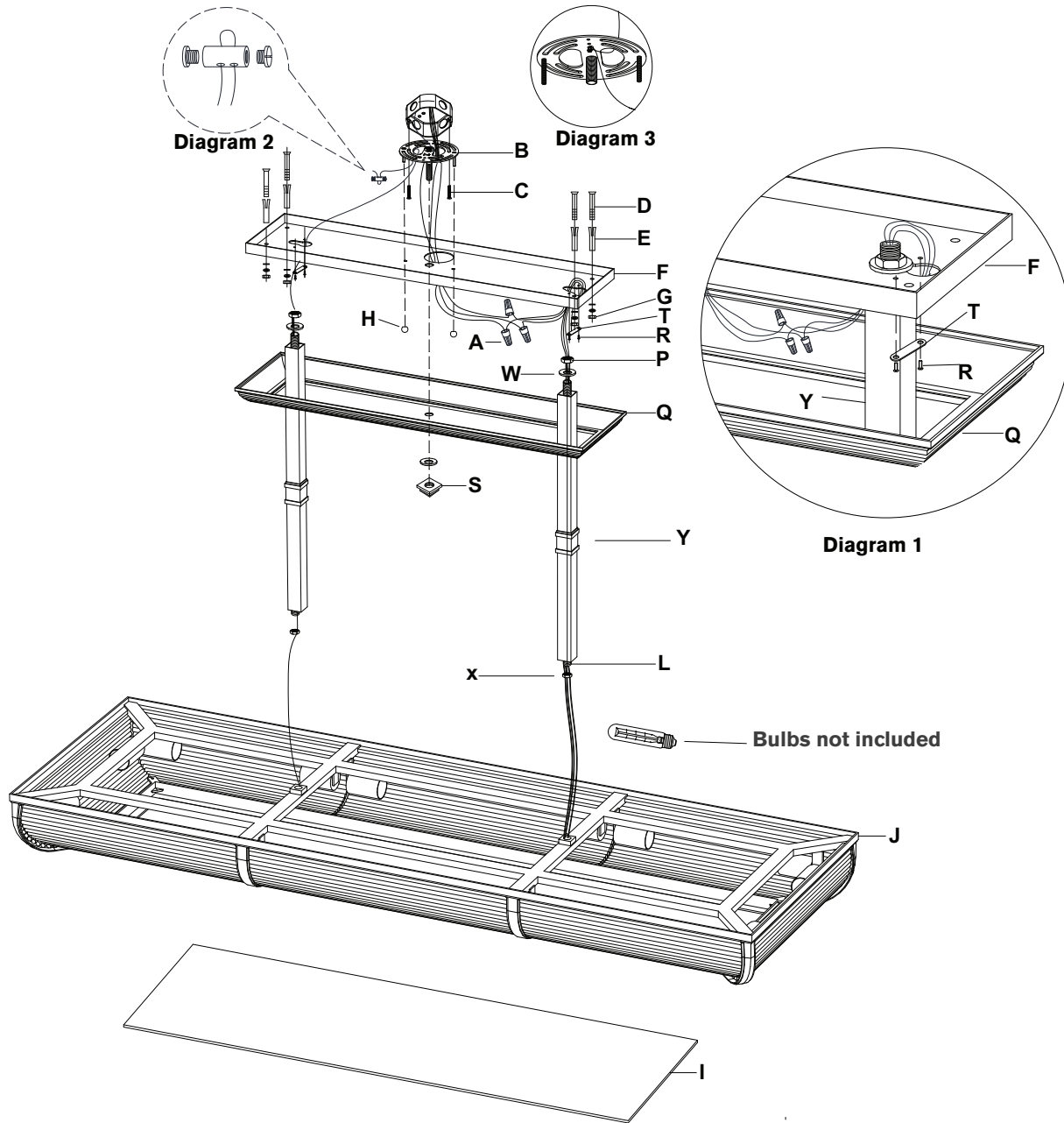
NOTICE:

This light fixture should be installed in accordance with all applicable, local installation codes, and by a person familiar with the construction and operation of it, as well as the hazards involved. Inspect item and contents carefully. If any damage or defect is found, do not install. Retain all packaging material until installation is complete and approved.

9. Holding fixture upright, slide canopy (**Q**) down rods (**Y**) and rest on fixture frame (**J**).
NOTE: Slide components down slowly to avoid damages.
10. Install mounting plate (**F**) to rods (**Y**) by securing with metal plates (**W**) and hex nuts (**P**). Then install bars (**T**) to mounting plate and secure with screws (**R**). (See diagram 1)
NOTE: It is recommended to have a helper assist in supporting the fixture for steps 11-16.
NOTE: Bring the supply wires to through the center hole and fixture wires through the side hole. (see diagram 1)
11. Run support cable through hole on back of mounting plate (**B**). Loosen cable lock and install to end of support cable. Insert other end of cable through the cable lock and tighten ends with a screwdriver to secure. (see diagram 2)
12. Wrap fixture ground wire (bare copper) around the green grounding screw (see diagram 3). Continue fixture ground wire and connect to supply ground wire (usually green or bare copper) using wire nut (**A**).
NOTE: It is imperative that the fixture is grounded.
13. Connect fixture neutral wire (ribbed) to the supply neutral wire (usually white) using wire nut (**A**).
14. Connect fixture hot wire (smooth with markings) to the supply hot wire (usually black) using wire nut (**A**).
CAUTION: Do not reverse the hot and neutral connections.
15. Make sure all wire connections are tight, then carefully tuck into the junction box.

RALPH LAUREN

ASSEMBLY INSTRUCTIONS



Perry Medium Linear Pendant

Item # RL 5075

NOTICE:

This light fixture should be installed in accordance with all applicable, local installation codes, and by a person familiar with the construction and operation of it, as well as the hazards involved. Inspect item and contents carefully. If any damage or defect is found, do not install. Retain all packaging material until installation is complete and approved.

16. Line up mounting plate (F) to expansion anchors and secure with threaded caps (H). Then add washers, lock washers and mounting nuts (G). Secure by tightening mounting nuts.
17. Install canopy (Q) to mounting plate (F) and secure with rubber washer (Z) and threaded cap (S).

Care Instructions: Clean only with a soft dry cloth or feather duster. Do not use abrasive or chemical agents.

RALPH LAUREN

