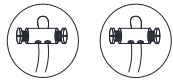
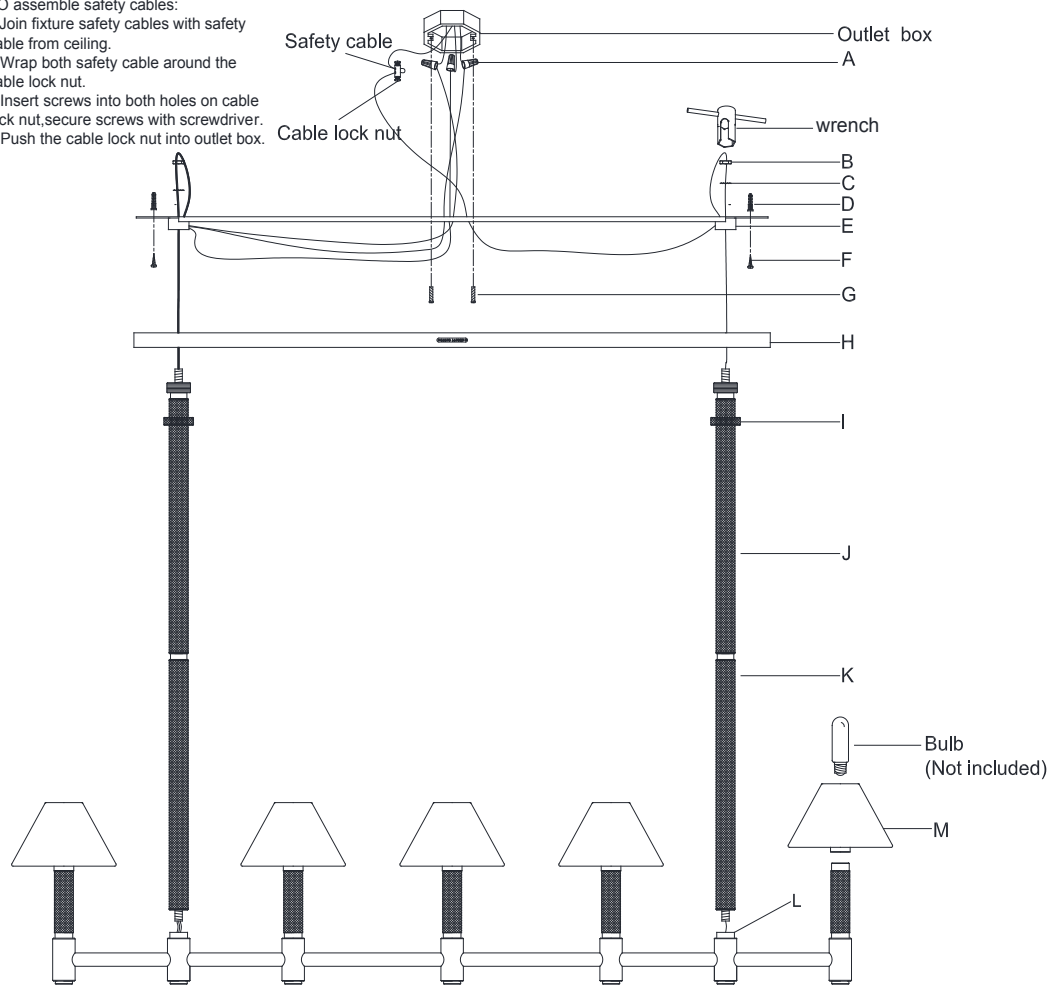


ASSEMBLY INSTRUCTIONS



TO assemble safety cables:

1. Join fixture safety cables with safety cable from ceiling.
2. Wrap both safety cable around the cable lock nut.
3. Insert screws into both holes on cable lock nut, secure screws with screwdriver.
4. Push the cable lock nut into outlet box.



Barrett Large Knurled Linear Chandelier

Item # RL 5226

NOTICE:

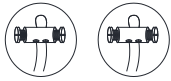
This light fixture should be installed in accordance with all applicable, local installation codes, and by a person familiar with the construction and operation of it, as well as the hazards involved. Inspect item and contents carefully. If any damage or defect is found, do not install. Retain all packaging material until installation is complete and approved.

1. Carefully remove all parts from the box.
2. Thread the tube (K) to the fixture body (L).
3. Let the lock collar (I) and canopy (H) pass through the tube (J & K).
4. Drill 4 holes on the ceiling and make sure the hole distance will match to the holes on the mounting plate (E) exactly.
5. Knock the anchors (D) into the wall holes.
6. Attach the mounting plate (E) to the tube (J) and secure with lock washer (C) and nut (B) by using the wrench.
7. Attach the mounting plate (E) to the outlet box and secure with mounting screws (G), then secure the screws (F) to the anchors (D).
8. Measure the wires and cut. Be certain to leave enough to connect inside of the canopy.
9. Connect the fixture ground (bare) wire with the ground wire from the outlet box using wire nut (A). If your house does not have ground wire, then attach this wire to the green grounding screw inside of the outlet box.
IT IS IMPERATIVE THAT THIS FIXTURE BE GROUNDED.
10. Connect the fixture Neutral wire (ribbed, no markings) with the neutral wire from the outlet box using wire nut (A).
11. Connect the fixture Hot (smooth edge, markings) wire with the hot wire from the outlet box using wire nut (A).
DO NOT REVERSE THE HOT AND NEUTRAL CONNECTIONS OR SAFETY WILL BE COMPROMISED.
12. Tuck these wire connections neatly into the outlet box to secure.

RALPH LAUREN

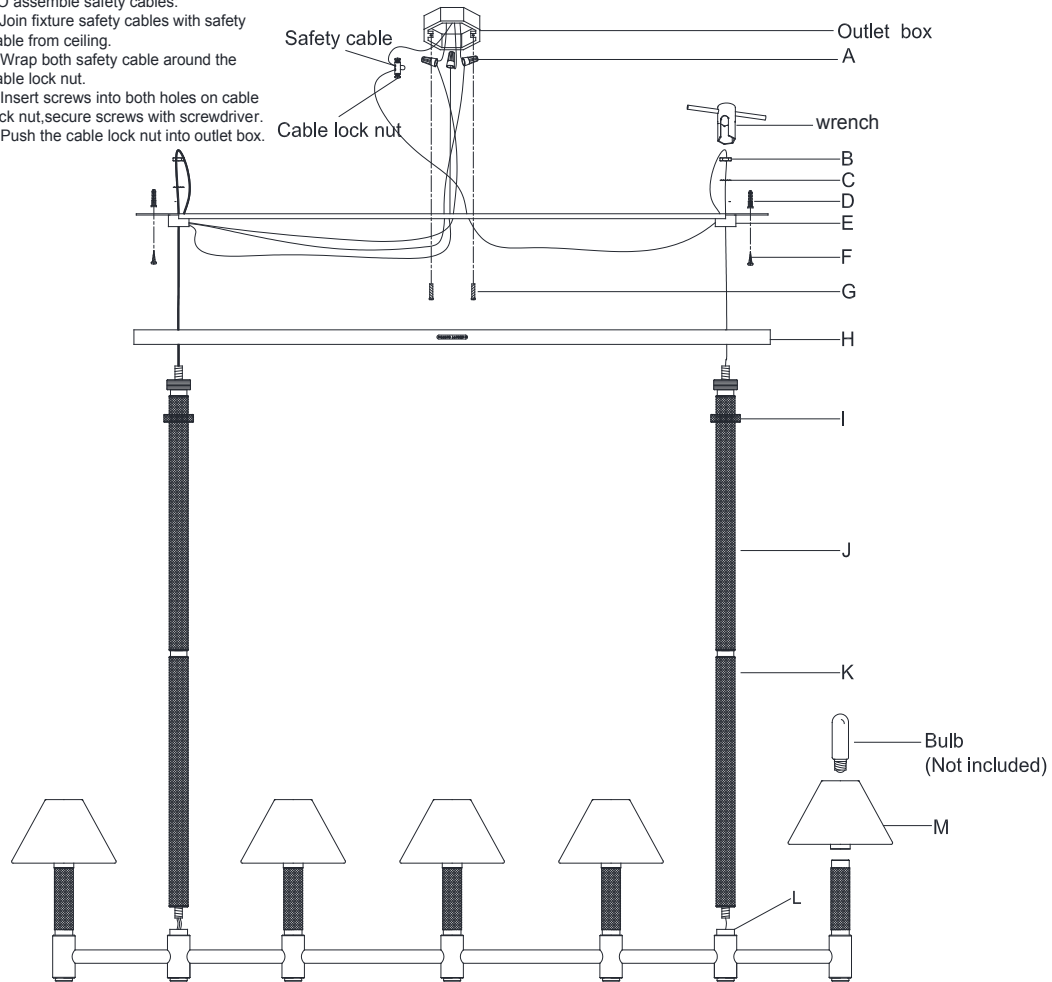


ASSEMBLY INSTRUCTIONS



TO assemble safety cables:

1. Join fixture safety cables with safety cable from ceiling.
2. Wrap both safety cable around the cable lock nut.
3. Insert screws into both holes on cable lock nut, secure screws with screwdriver.
4. Push the cable lock nut into outlet box.



Barrett Large Knurled Linear Chandelier

Item # RL 5226

NOTICE:

This light fixture should be installed in accordance with all applicable, local installation codes, and by a person familiar with the construction and operation of it, as well as the hazards involved. Inspect item and contents carefully. If any damage or defect is found, do not install. Retain all packaging material until installation is complete and approved.

13. Put canopy (H) to the mounting plate (E) and secure with lock collar (I).
14. If you have purchased with a metal shade (M), put it on the socket cup.
15. Insert bulbs (not included) into the sockets.
16. Installation is complete, turn on power at fuse or circuit breaker.

Care Instructions: Clean only with a soft dry cloth or feather duster. Do not use abrasive or chemical agents.

RALPH LAUREN

