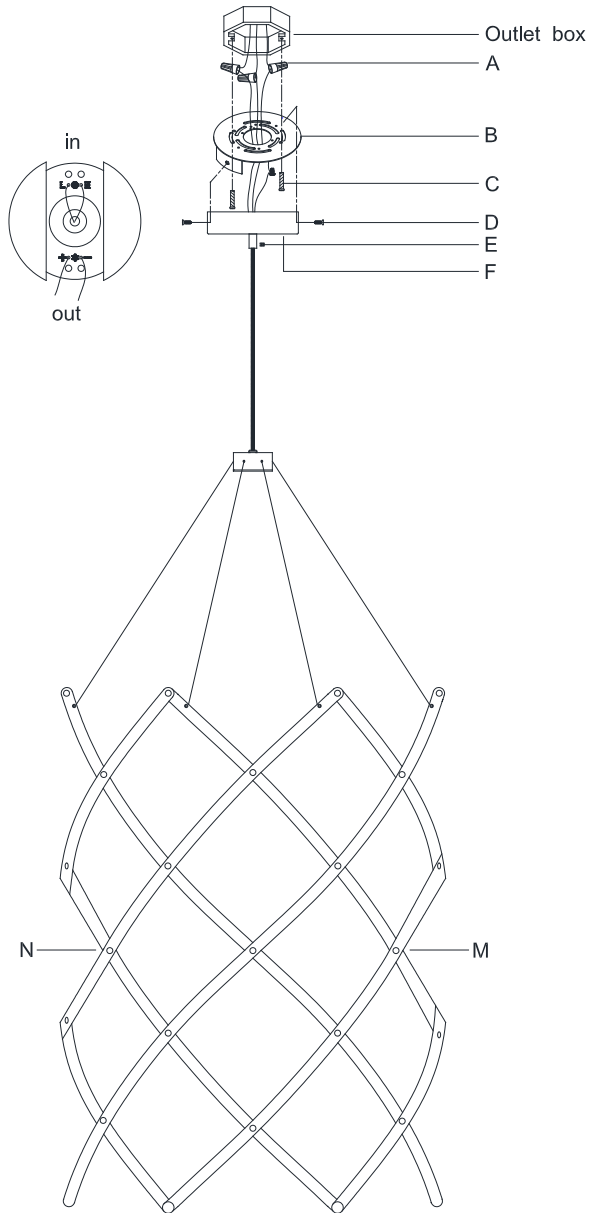


ASSEMBLY INSTRUCTIONS



Interlace Expandable Chandelier

Item # PB 5111

WE RECOMMEND INSTALLATION OF THIS LIGHTING FIXTURE BE DONE BY A LICENSED ELECTRICIAN.

WARNING*SWITCH OFF THE MAIN ELECTRICAL SUPPLY FROM THE MAIN FUSE BOX/CIRCUIT BREAKER BEFORE INSTALLATION.**

INSPECT ITEM CAREFULLY BEFORE ATTEMPTING TO INSTALL. IF THERE IS ANY DAMAGE OR OBVIOUS DEFECT. DO NOT INSTALL.

ITEM MAY NOT BE RETURNED ONCE IT HAS BEEN INSTALLED.

NOTE: CAREFULLY UNPACK EACH PIECE IN TOP LAYER OF PACKING PRIOR TO REMOVING. RETAIN ALL PACKING MATERIAL UNTIL INSPECTION AND INSTALLATION ARE FINAL.

1. Carefully remove all parts from the box. Prepare to adjust the shape of the fixture body.
2. With one hand grasp the corner (M) on the fixture body, another hand grasp the corner (N) on the other side of the fixture body, pull or push the corner slowly and carefully to get a desire shape.
3. Remove the mounting plate (B) from the canopy (F) by loosening the side screws (D).
4. Affix mounting plate (B) onto the outlet box and secure with mounting screws (C).
5. Loosen the screw (E) on the canopy connector, adjust the height of the fixture body, then secure the screw (E). Measure the fixture wire then cut.
6. Insert the fixture Hot wire (BLACK) into the hole (marked "+") on the driver, then insert the fixture Neutral wire (WHITE) into the hole (marked "-") on the driver.
7. Insert the jump Hot wire (smooth edge, markings) into the hole (marked "L") on the driver, then insert the jump Neutral wire (ribbed, no markings) into the hole (marked "N") on the driver.
8. Connect the fixture Ground (bare) wire with the ground wire from the outlet box using wire nut (A). If your house does not have ground wire, then attach this wire to the green grounding screw inside of the outlet box.
9. Connect the jump Hot wire (smooth edge, markings) with the hot wire from the outlet box using wire nut (A).
10. Connect the jump Neutral wire (ribbed, no markings) with the neutral wire from the outlet box using wire nut (A).

IT IS IMPERATIVE THAT THIS FIXTURE BE GROUNDED.
DO NOT REVERSE THE HOT AND NEUTRAL CONNECTIONS OR SAFETY WILL BE COMPROMISED.

ASSEMBLY INSTRUCTIONS

Interlace Expandable Chandelier

Item # PB 5111

WE RECOMMEND INSTALLATION OF THIS LIGHTING FIXTURE BE DONE BY A LICENSED ELECTRICIAN.

WARNING***SWITCH OFF THE MAIN ELECTRICAL SUPPLY FROM THE MAIN FUSE BOX/CIRCUIT BREAKER BEFORE INSTALLATION.

INSPECT ITEM CAREFULLY BEFORE ATTEMPTING TO INSTALL. IF THERE IS ANY DAMAGE OR OBVIOUS DEFECT. DO NOT INSTALL.

ITEM MAY NOT BE RETURNED ONCE IT HAS BEEN INSTALLED.

NOTE: CAREFULLY UNPACK EACH PIECE IN TOP LAYER OF PACKING PRIOR TO REMOVING. RETAIN ALL PACKING MATERIAL UNTIL INSPECTION AND INSTALLATION ARE FINAL.

11. Tuck these wire connections neatly into the outlet box to secure.

12. Attach the canopy (F) to the mounting plate (B) and secure with side screws (D).

13. Installation is complete, turn on power at fuse or circuit breaker.

***Clean with a dry, soft cloth only. Use no harsh abrasives or chemical agents.

