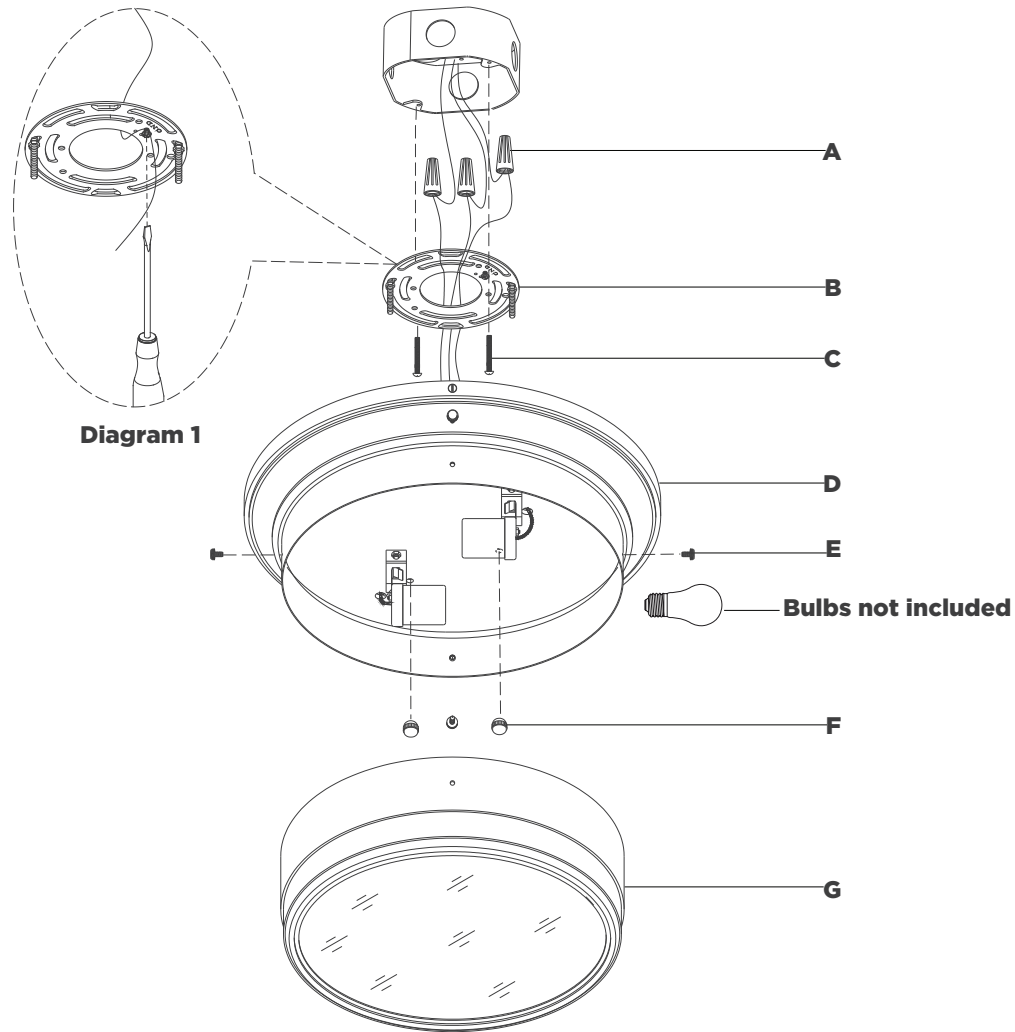


ASSEMBLY INSTRUCTIONS



Small Flush Mount

Item #SS4015

NOTICE:

This light fixture should be installed in accordance with all applicable, local installation codes, and by a person familiar with the construction and operation of it, as well as the hazards involved. Inspect item and contents carefully. If any damage or defect is found, do not install. Retain all packaging material until installation is complete and approved.

TOOLS REQUIRED (NOT INCLUDED):

Phillips Screwdriver Slotted Screwdriver

- Carefully remove all parts from the box. Place on a clean, soft surface.
- Remove mounting plate **(B)** from fixture **(D)** by removing ball nuts **(F)**.
- Install mounting plate **(B)** to junction box and secure with mounting screws **(C)**.
- Wrap fixture ground wire (green or green/yellow) around the green grounding screw (see diagram 1). Tighten. Continue fixture ground wire and connect to supply ground wire (usually green or bare copper) using wire nut **(A)**.

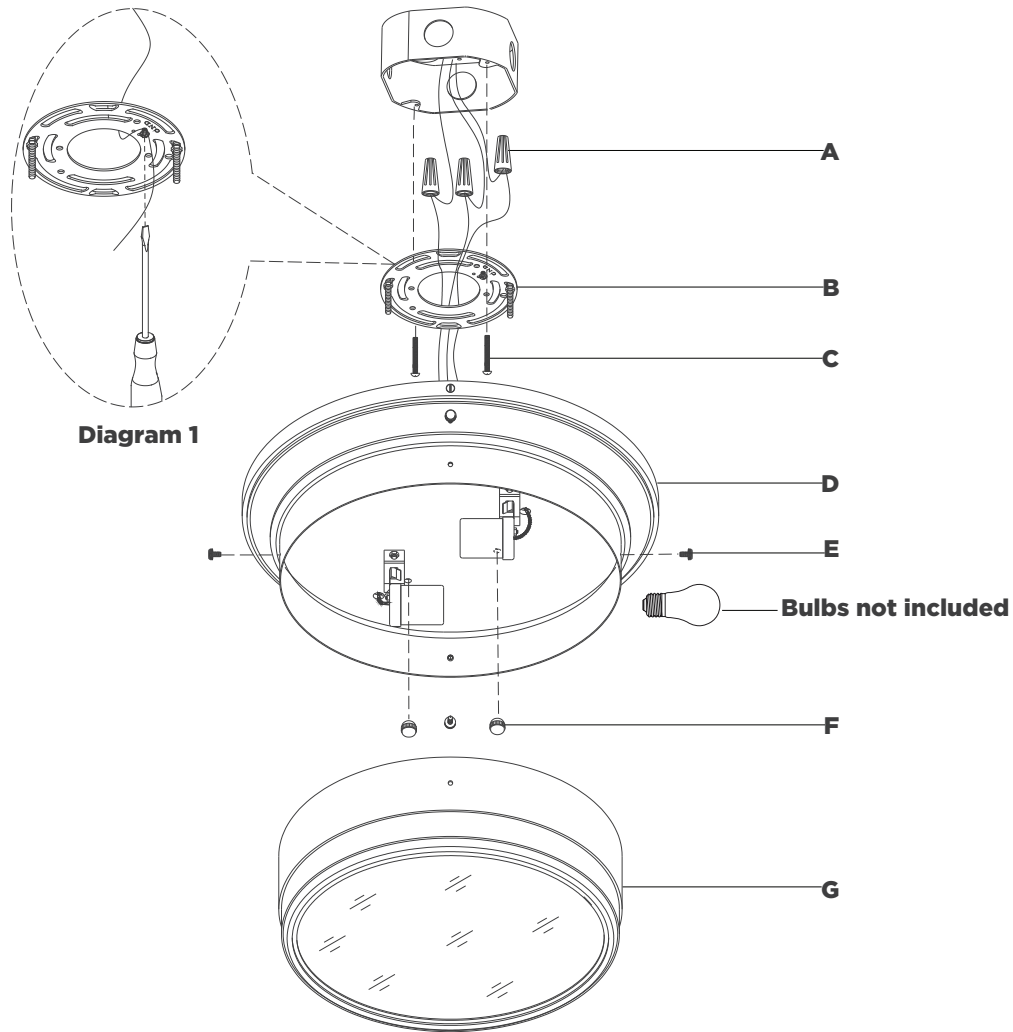
NOTE: It is imperative that the fixture is grounded.

- Connect fixture neutral wire (black) to the supply neutral wire (black) using wire nut **(A)**.
- Connect fixture hot wire (red) to the supply hot wire (red) using wire nut **(A)**.

CAUTION: Do not reverse the hot and neutral connections.

- Install fixture **(D)** to mounting plate **(B)** and secure with ball nuts **(F)**.
- Install light bulbs into the sockets.

ASSEMBLY INSTRUCTIONS



Small Flush Mount

Item #SS4015

NOTICE:

This light fixture should be installed in accordance with all applicable, local installation codes, and by a person familiar with the construction and operation of it, as well as the hazards involved. Inspect item and contents carefully. If any damage or defect is found, do not install. Retain all packaging material until installation is complete and approved.

9. Install shade (**G**) to fixture (**D**) and secure with thumbscrews (**E**).

NOTE: Do not overtighten otherwise glass could become damaged.

CARE INSTRUCTIONS: Clean only with a soft dry cloth or feather duster. Do not use abrasive or chemical agents.