

TEAR SHEET

Antigua Grande Semi-Flush Mount

Item # CHC 4017PN/NAB

Designer: Chapman & Myers

Height: 15.75"

Width: 30"

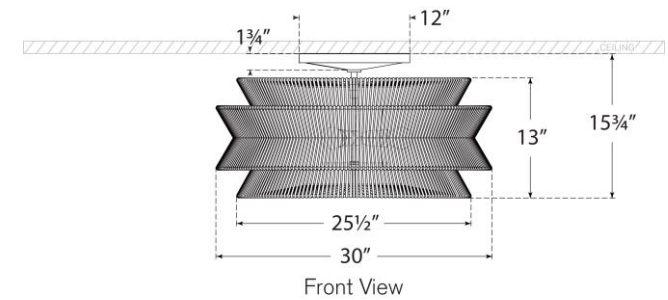
Canopy: 12" Round

Finishes: AB/NAB, BZ/NAB, PN/NAB

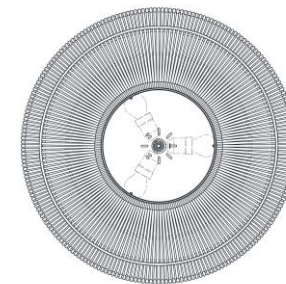
Socket: 3 - E26 Keyless

Wattage: 3 - 15 LED A19

Weight: 22 Pounds



Front View



Top View